

Model H242 Helix Flow Meter 1 liter/min to 500 liters/min

SPECIFICATIONS

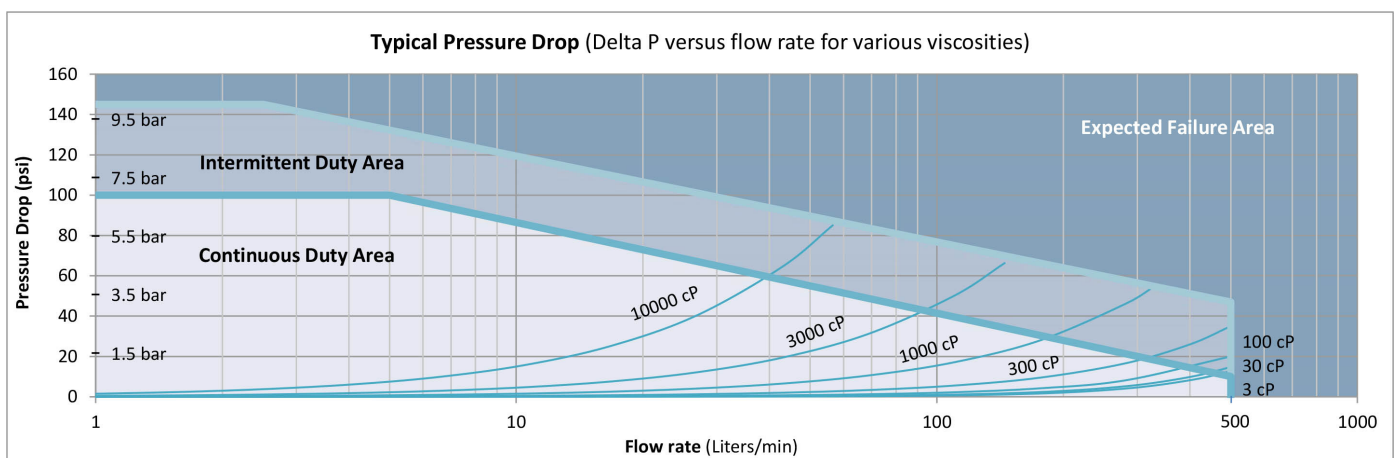
Flow Range	1 liter/min to 500 liters/min
Accuracy (at 30 cP)	±0.2% of reading over a 50:1 range ±0.5% of reading with a non-linearized transmitter
Maximum Operating Pressure	35 or 240 bar (500, 3500 psi)
Displacement	0.182 liters/rev
Weight	18.1 kg
Recommended Filtration	150 micron
Port Size(s)	2 1/2" NPT or 2 1/2" (DN 65) customer supplied ANSI RF flanges
Fluids	Most non-aqueous, organic liquids
Heat Trace	Heat traceable bodies available



Model H242

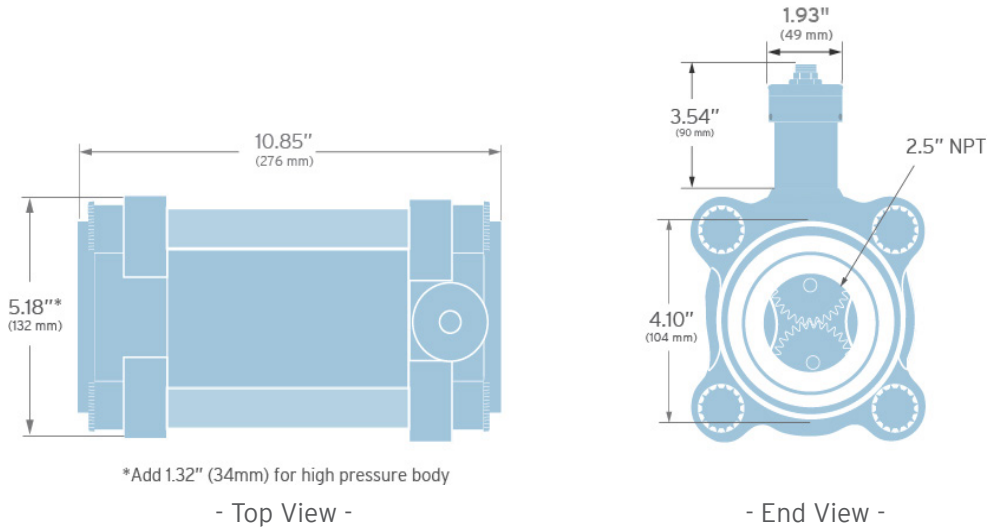
MATERIALS OF CONSTRUCTION

Body	Stainless steel, type 303
Rotors	Stainless steel, type 303 or anodized aluminum
Bearings	All ball bearings, 440C stainless steel
O Rings	Viton®- standard • Teflon®, Perfluoroelastomer - optional



Model H242 Flow Meter

CONNECTIVITY/DIMENSIONS



TRANSMITTER OPTIONS



Ex Proof Housing

Linearized Frequency*

Output Signal: 5V

Output Resolution: 1000 pulses/rev

Temperature rating: 90° or 225°C (220 or 435°F)

Linearized Analog*

Output Signal: ± 20mA or ± 10V

Output Resolution: 16 bit

Temperature rating: 105 or 225°C (220 or 435°F)



Industrial Housing

*CE Certified, Ex-proof version available with ATEX/IECEX II 2 G Ex db IIB Tx Gb as well as UL, cUL certification for Class 1, Division 1, Groups C and D, Tx



Max Machinery, Inc.
an ISO 9001:2008 certified company

Positive Displacement Flow Meters

Helical Rotor Type, H Series

Flow Meter Selections				Transmitter Selections			
Model #				/ / 0 - <input type="checkbox"/> Non-standard options			
				Bi-directional cal: BID			
				0 Transmitter Type			
Max Flow Range				Output Type			
189 Liters/min	H241	LS	1	A	A	4-20mA output - powered by 24Vdc	
189 Liters/min	H241	MS	5	A	B	4-20mA output - powered by 12Vdc	
500 Liters/min	H242	LS	1	A	C	0-10Volt output - powered by 24Vdc	
500 Liters/min	H242	MS	5	A	D	0-10Volt output - powered by 12Vdc	
				P	N	5V Pulse/Quad - powered by 5-26Vdc	
				Q	N	5V Quadrature - powered by 5-26Vdc	
				P	S	Current Sinking, single phase	
Pressure				Temperature Rating			
500 psi (35 bar)		LS		1	1	90°C	
3500 psi (245 bar)		MS		2	2	130°C - 2 part, Ex-Proof **	
Includes Flange Bolt Kit (see below)				1	3	225° C - 2 part Industrial †	
Fluid Connection				Electrical Connection			
NPT			1	1	Turck® connector		
Wafer-mounted between customer's flanges			5	2	Hazardous location *		
Seal Selection				Signal Type			
Viton® - FKM			1	P	Pulse		
Teflon® - PTFE			3	A	Analog		
Perfluoroelastomer - FFKM			5	Q	Quadrature		
Options				Flange Bolt Kit Details			
None			NA	Model H241 bolts	3500 psi bolt kit for 2500 lb. ANSI Flanges		
Heat trace option			HT	Model H242 bolts	3500 psi bolt kit for 1500 lb. ANSI flanges		

Calibration

Price includes unidirectional calibration

* See temp chart

** Receiver portion of 2 part transmitters are not rated Ex-Proof, consult factory

† Not available for hazardous location use. (Exceeds 130°C temp. limit.)