

Model H241 Helix Flow Meter 100 cc/min to 189 liters/min

SPECIFICATIONS

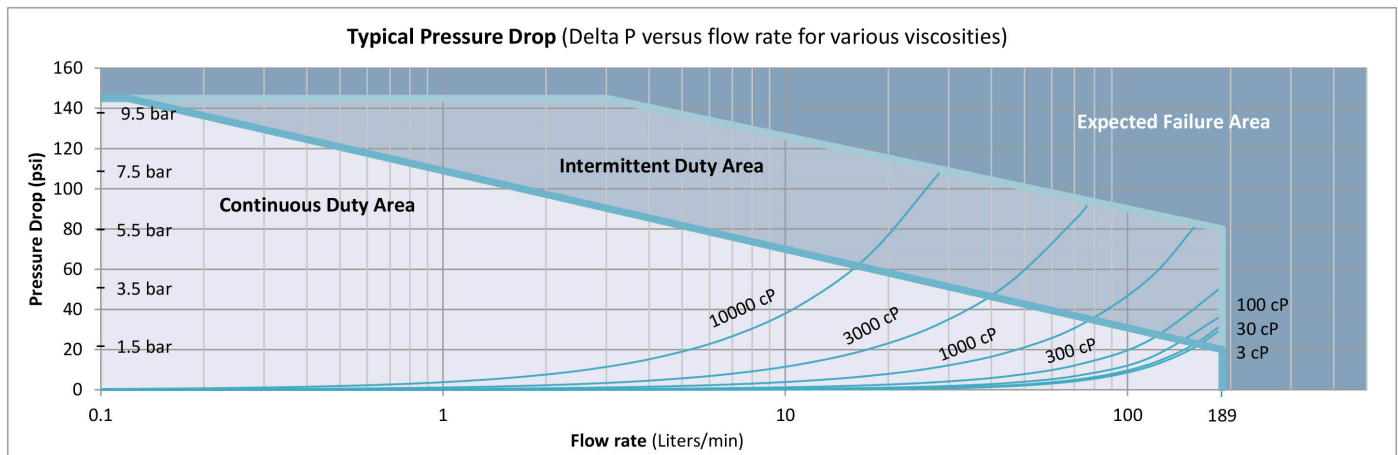
Flow Range	100 cc/min to 189 liters/min
Accuracy (at 30 cP)	± 0.2% of reading over a 50:1 range ± 0.5% of reading with a non-linearized transmitter
Maximum Operating Pressure	35 or 240 bar (500, 3500 psi)
Displacement	0.062 liters/rev
Weight	14 kg
Recommended Filtration	150 micron
Port Size(s)	1 1/2" NPT or 1 1/2" (DN 40) customer supplied ANSI RF flanges
Fluids	Most non-aqueous, organic liquids
Heat Trace	Heat traceable bodies available



Model H241

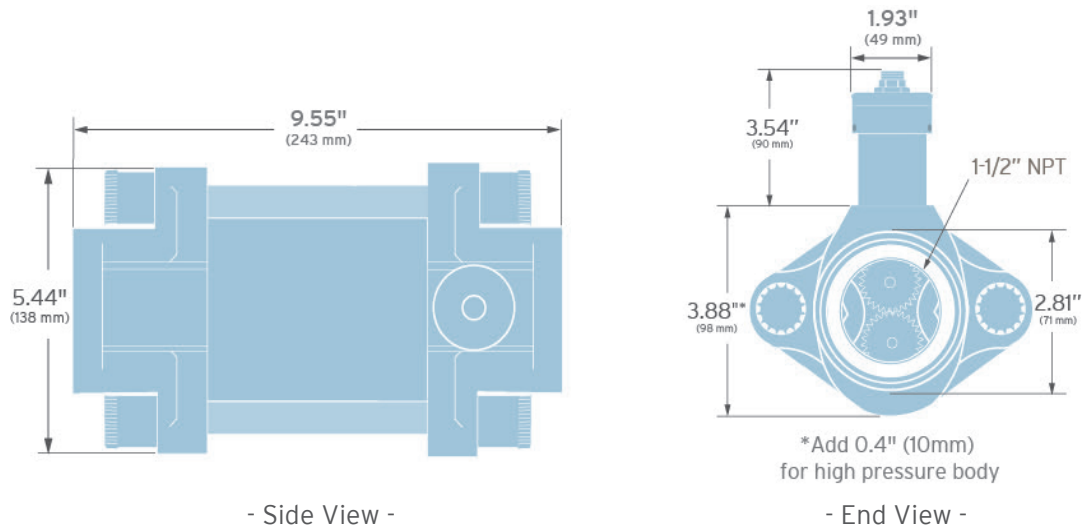
MATERIALS OF CONSTRUCTION

Body	Stainless steel, type 303
Rotors	Stainless steel, type 303
Bearings	All ball bearings, 440C stainless steel
O Rings	Viton®- standard, Teflon® or Perfluoroelastomer - optional



Model H241 Flow Meter

CONNECTIVITY/DIMENSIONS



TRANSMITTER OPTIONS



Ex Proof Housing

Linearized Frequency*

Output Signal: 5V

Output Resolution: 1000 pulses/rev

Temperature rating: 90° or 225°C (220 or 435°F)

Linearized Analog*

Output Signal: ± 20mA or ± 10V

Output Resolution: 16 bit

Temperature rating: 105 or 225°C (220 or 435°F)



Industrial Housing

*CE Certified, Ex-proof version available with ATEX/IECEx II 2 G Ex db IIB Tx Gb as well as UL, cUL certification for Class 1, Division 1, Groups C and D, Tx



Max Machinery, Inc.
an ISO 9001:2008 certified company

Positive Displacement Flow Meters

Helical Rotor Type, H Series

Flow Meter Selections				Transmitter Selections			
Model #							0 - <input type="checkbox"/> Non-standard options
							0 Transmitter Type
							Bi-directional cal: BID
Max Flow Range							Output Type
189 Liters/min	H241	LS	1	A		A	4-20mA output - powered by 24Vdc
189 Liters/min	H241	MS	5	A		B	4-20mA output - powered by 12Vdc
				A		C	0-10Volt output - powered by 24Vdc
500 Liters/min	H242	LS	1	A		D	0-10Volt output - powered by 12Vdc
500 Liters/min	H242	MS	5	P		N	5V Pulse/Quad - powered by 5-26Vdc
				Q		N	5V Quadrature - powered by 5-26Vdc
				P		S	Current Sinking, single phase
Pressure							Temperature Rating
500 psi (35 bar)	LS					1	90°C
3500 psi (245 bar)	MS					2	130°C - 2 part, Ex-Proof **
Includes Flange Bolt Kit (see below)						1	225° C - 2 part Industrial †
Fluid Connection							Electrical Connection
NPT	1					1	Turck® connector
Wafer-mounted between customer's flanges	5					2	Hazardous location *
Seal Selection							Signal Type
Viton® - FKM	1			P			Pulse
Teflon® - PTFE	3			A			Analog
Perfluoroelastomer - FFKM	5			Q			Quadrature
Options							Flange Bolt Kit Details
None	NA						Model H241 bolts
Heat trace option	HT						3500 psi bolt kit for 2500 lb. ANSI Flanges
							Model H242 bolts
							3500 psi bolt kit for 1500 lb. ANSI flanges

Calibration

Price includes unidirectional calibration

* See temp chart

** Receiver portion of 2 part transmitters are not rated Ex-Proof, consult factory

† Not available for hazardous location use. (Exceeds 130°C temp. limit.)