

Model G240 Gear Flow Meter (Frequency)

250 cc/min to 240 liters/min

SPECIFICATIONS

Flow Range	250 cc/min to 240 liters/min
Accuracy (at 30 cP)	± 0.3% of reading over a 100:1 range
Maximum Operating Pressure	275 bar (4000 psi) - NPT fittings 414 bar (6000 psi) - SAE fittings
Displacement	133 cc/rev
Weight	21 kg
Recommended Filtration	30 micron
Port Size(s)	1" NPT or #16 SAE
Fluids	Most non-aqueous, hydrocarbon based fluids

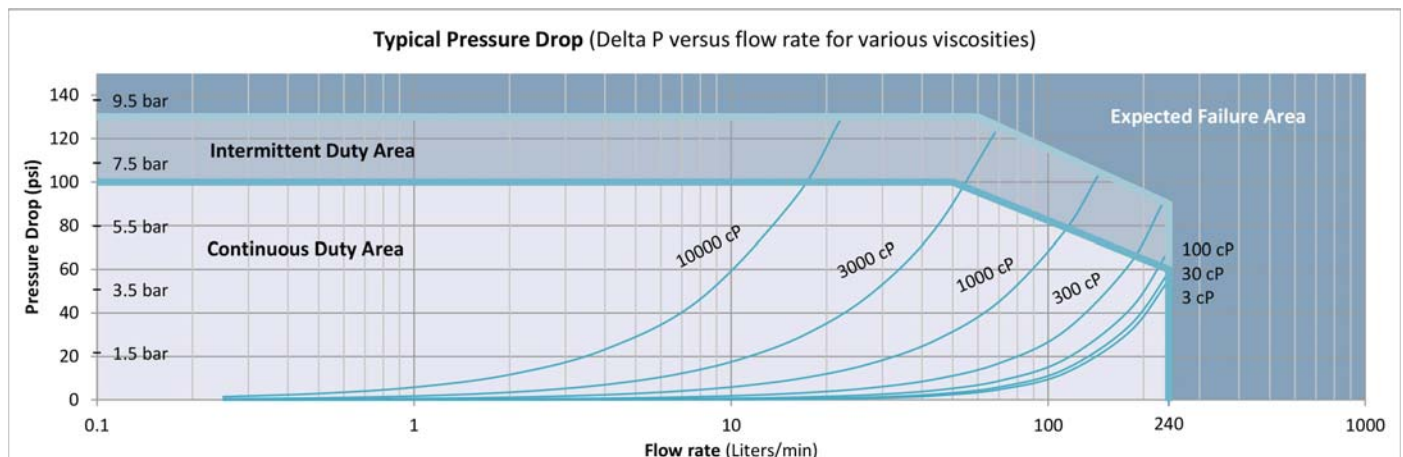


MATERIALS OF CONSTRUCTION

Body	Stainless steel, type 303
Gears and Shafts	Stainless steel, type 17-4
Bearings	All ball bearings, 440C stainless steel
Seals	Viton®- standard, Teflon®, Perfluoroelastomer – optional

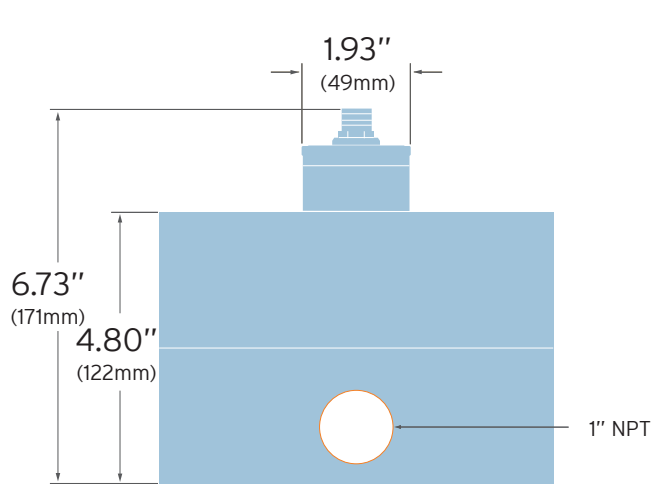
FREQUENCY TRANSMITTER

Output Signal	5 Vdc square wave – Current Sinking, 20mA max.- optional
Output Resolution	Selectable: 1 - 1000 pulses/rev (up to 7 pulses/cc)
Optional	Quadrature square wave, 1 - 500 pulses/revolution/channel
Power Supply Requirements	5 - 26 Vdc, @ 30 mA
Ambient Operational Range	-40°C to 80°C, Single piece – Two piece to 110°C
Metered Liquid Temp Range (based on 20° ambient)	-40°C to 90°C, Standard model -40°C to 155°C, Two piece high temperature model -40°C to 225°C, Two piece, ultra high temperature model
Compliance	CE Certified, Ex-proof version available with ATEX/IECEx II 2 G Ex db IIB Tx Gb as well as UL, cUL certification for Class 1, Division 1, Groups C and D, Tx

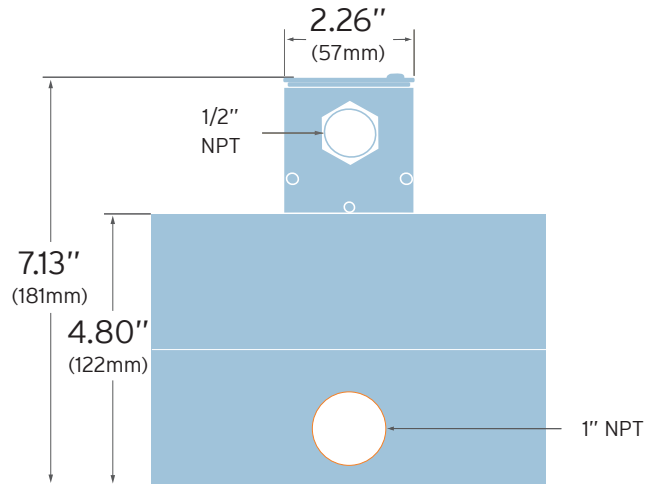


Model G240 Flow Meter (Frequency)

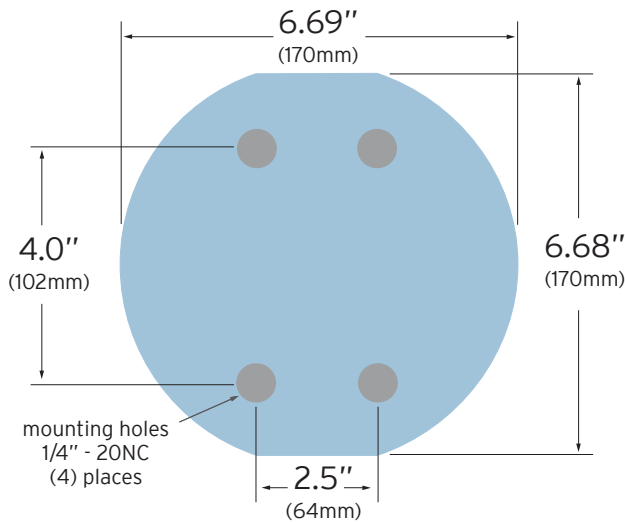
CONNECTIVITY/DIMENSIONS



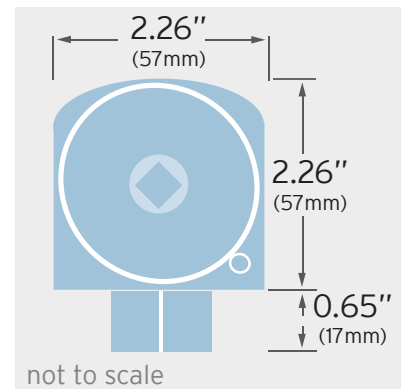
MODEL G240 WITH INDUSTRIAL HOUSING TRANSMITTER



MODEL G240 WITH EX-PROOF HOUSING TRANSMITTER



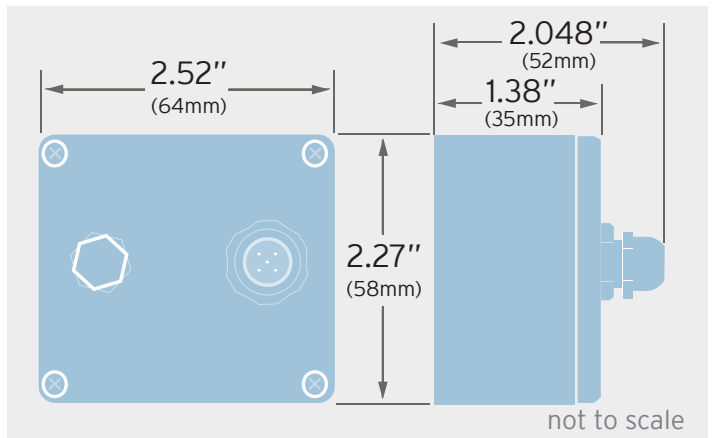
BOTTOM VIEW



EX-PROOF HOUSING TOP VIEW

ELECTRICAL CONNECTION - FREQUENCY TRANSMITTERS

	Turck® Connector		
	PCA Label	Pin #	Mating Cable Wire Color
Power (+5 to 26 Vdc)	V+	1	Brown
Common	Com	4	Black
Pulse Output	Ph A	2	White
Output Phase B (Quad only)	Ph B	5	Grey
Case Ground	Case	3	Blue



REMOTE PCA ENCLOSURE FOR HIGH TEMPERATURE TRANSMITTERS
(2 meter interconnect cable, not shown)

Positive Displacement Flow Meters Gear Type, G Series

Flow Meter Selections

Transmitter Selections

Model #	G240	HS													1		
																	Non-standard options
																	Bi-directional cal BID
																	1 Transmitter Type
																	Output Type
																	A 4-20mA output - powered by 24Vdc
																	A 4-20mA output - powered by 12Vdc
																	A 0-10Volt output - powered by 24Vdc
																	A 0-10Volt output - powered by 12Vdc
																	P 5V Pulse/Quad - powered by 5-26Vdc
																	Q 5V Quadrature - powered by 5-26Vdc
																	P Current Sinking, single phase
																	Temperature rating
																	1 90°C
																	2 155°C - 2 part tach **
																	3 225° C - 2 part tach *
																	Electrical Connection
																	1 Turck® connector
																	2 Hazardous location *
																	SIGNAL TYPE
																	P Pulse
																	A Analog
																	Q Quadrature
Max flow range	240 Liters/min	G240															
Pressure	6000 psi (414 bar)	HS															
Note: G240 limited to 4000 psi (275 bar) if specified with NPT connections																	
Fluid Connection	NPT	1															
	SAE	2															
Seal Selection	Viton® - FKM	1															
	Teflon® - PTFE **	3															
	Perfluoroelastomer - FFKM	5															
Options	None	NA															
	Heat trace option	HT															

Product includes single directional calibration, bi-directional calibrations for Analog and Quadrature devices are optional.

* Consult factory regarding 130°C maximum and other temperature limitations for hazardous location installations.

** Teflon® seals are not suitable for operating temperatures above 90°C for these high pressure products.