

Model G105 Gear Flow Meter (Analog)

75 cc/min to 105 liters/min

SPECIFICATIONS

Flow Range	75 cc/min to 105 liters/min
Accuracy (at 30 cP)	± 0.3% of reading over a 100:1 range, or ± 2mV (or 4µA), whichever is greater
Maximum Operating Pressure	414 bar (6000 psi)
Displacement	38 cc/rev
Weight	7.7 kg
Recommended Filtration	30 micron
Port Size(s)	3/4" NPT or #10 SAE
Fluids	Most non-aqueous, hydrocarbon based fluids

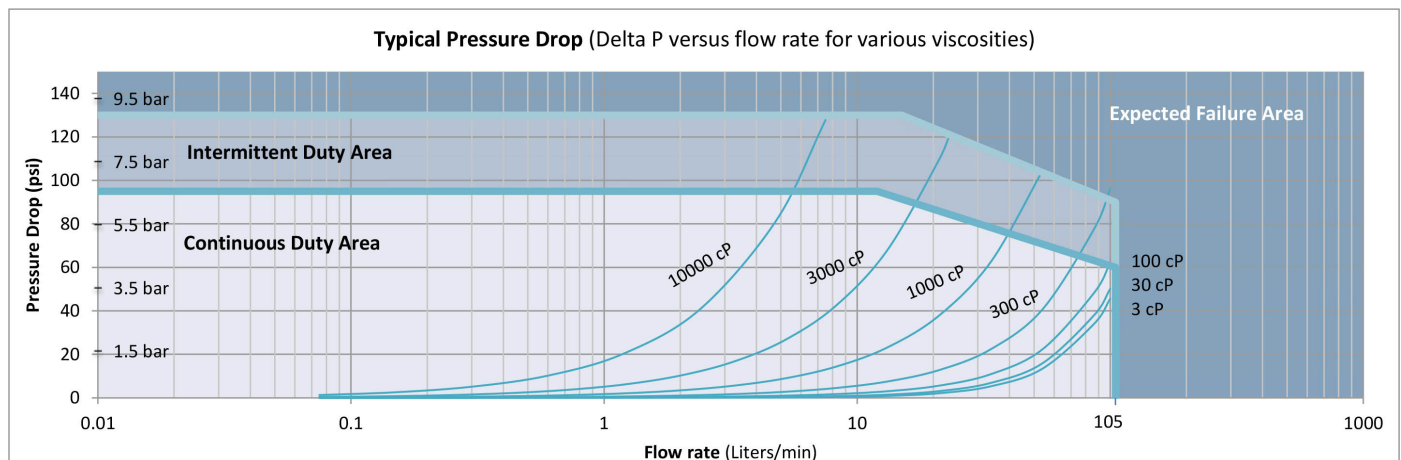


MATERIALS OF CONSTRUCTION

Body	Stainless steel, type 303
Gears and Shafts	Stainless steel, type 17-4
Bearings	All ball bearings, 440C stainless steel
Seals	Viton®- standard, Teflon®, Perfluoroelastomer – optional

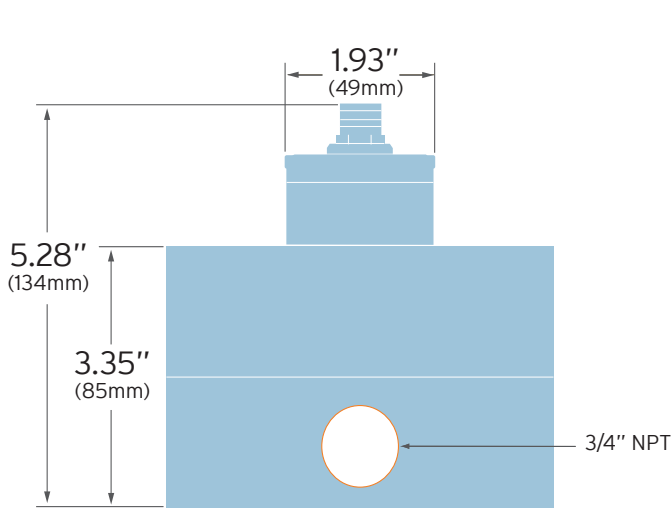
ANALOG TRANSMITTER

Output Signal	Any range of ± 10V or ± 20mA Linearized and damped with anti-dither protection.
Power Supply Requirements	Two Models: 12Vdc @ 90 mA, 24Vdc @ 45 mA
Ambient Operational Range	-40°C to 80°C, Single piece – Two piece to 110°C
Metered Liquid Temp Range (based on 20° ambient)	-40°C to 90°C, Standard model -40°C to 155°C, Two piece high temperature model -40°C to 225°C, Two piece, ultra high temperature model
Compliance	CE Certified, Ex-proof version available with ATEX/IECEx II 2 G Ex d IIB Tx Gb as well as UL, cUL certification for Class 1, Division 1, Groups C and D, Tx

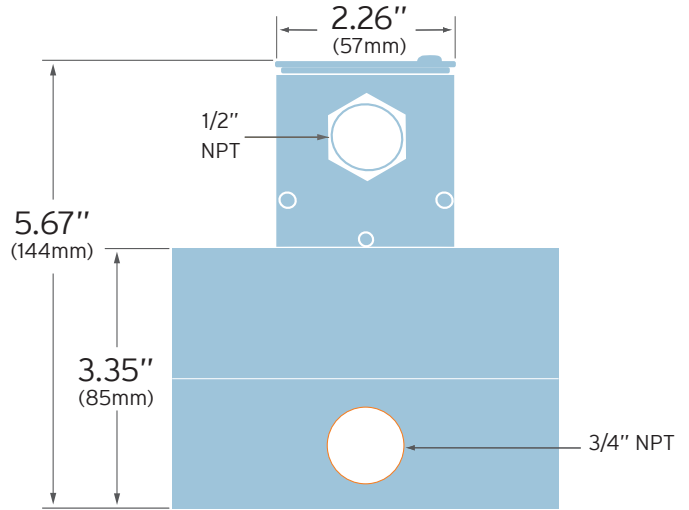


Model G105 Flow Meter (Analog)

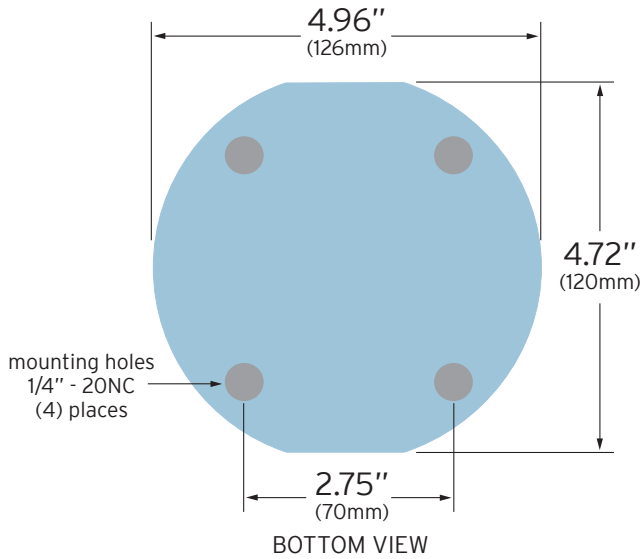
CONNECTIVITY/DIMENSIONS (Not to scale)



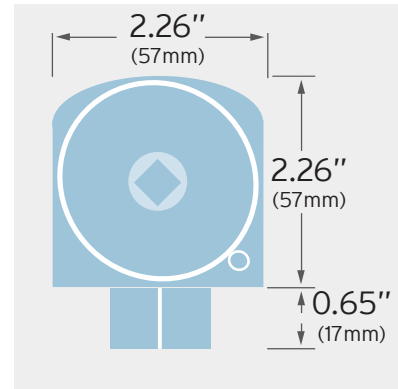
MODEL G105 WITH INDUSTRIAL HOUSING TRANSMITTER



MODEL G105 WITH EX-PROOF HOUSING TRANSMITTER



BOTTOM VIEW

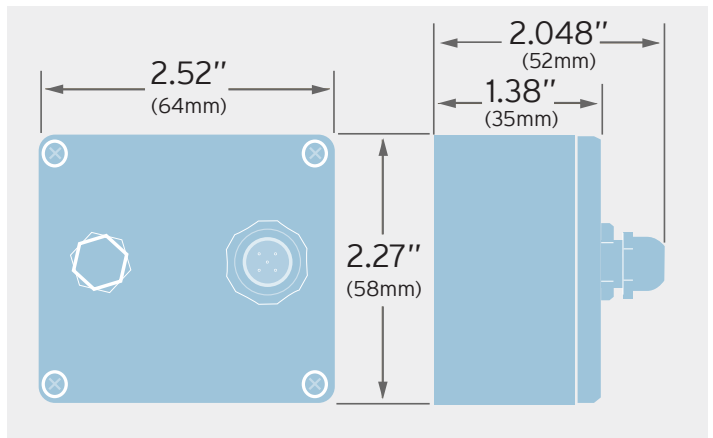


EX-PROOF HOUSING TOP VIEW

ELECTRICAL CONNECTION – ANALOG TRANSMITTERS

	Turck® Connector		
	Pin #	Mating Cable Wire Color	NPT model
Case Ground	3	Blue	Case
Common	4	Black	Com
Power *	1	Brown	V+
Signal Output (+)	5	Grey	Sig
Signal Output (-)	2	White	Ret

* Please specify 12Vdc or 24Vdc operation



REMOTE PCA ENCLOSURE FOR HIGH TEMPERATURE TRANSMITTERS (2 meter interconnect cable, not shown)



Positive Displacement Flow Meters Gear Type, G Series

Flow Meter Selections

Transmitter Selections

Model #	G105	HS												1	
Max flow range	105 Liters/min	G105													
Pressure	6000 psi (414 bar)	HS													
Fluid Connection		NPT	1												
		SAE	2												
Seal Selection		Viton® - FKM	1												
		Teflon® - PTFE **	3												
		Perfluoroelastomer - FFKM	5												
Options		None	NA												
		Heat trace option	HT												

Output Type	A	4-20mA output - powered by 24Vdc
	B	4-20mA output - powered by 12Vdc
	C	0-10Volt output - powered by 24Vdc
	D	0-10Volt output - powered by 12Vdc
	N	5V Pulse/Quad - powered by 5-26Vdc
	N	5V Quadrature - powered by 5-26Vdc
	S	Current Sinking, single phase
Temperature rating	1	90°C
	2	155°C - 2 part tach *
	3	225° C - 2 part tach *
Electrical Connection	1	Turck® connector
	2	Hazardous location *
SIGNAL TYPE	P	Pulse
	A	Analog
	Q	Quadrature

Product includes single directional calibration, bi-directional calibrations for Analog and Quadrature devices are optional.

* Consult factory regarding 130°C maximum and other temperature limitations for hazardous location installations.

** Teflon® seals are not suitable for operating temperatures above 90°C for these high pressure products.