

Model G015 Gear Flow Meter (Frequency)

10 cc/min to 15 liters/min

SPECIFICATIONS

Flow Range	10 cc/min to 15 liters/min
Accuracy (at 30 cP)	± 0.3% of reading over a 100:1 range
Maximum Operating Pressure	414 bar (6000 psi)
Displacement	4.2 cc/rev
Weight	1.8 kg
Recommended Filtration	15 micron
Port Size(s)	3/8" NPT or #6 SAE
Fluids	Most non-aqueous, hydrocarbon based fluids

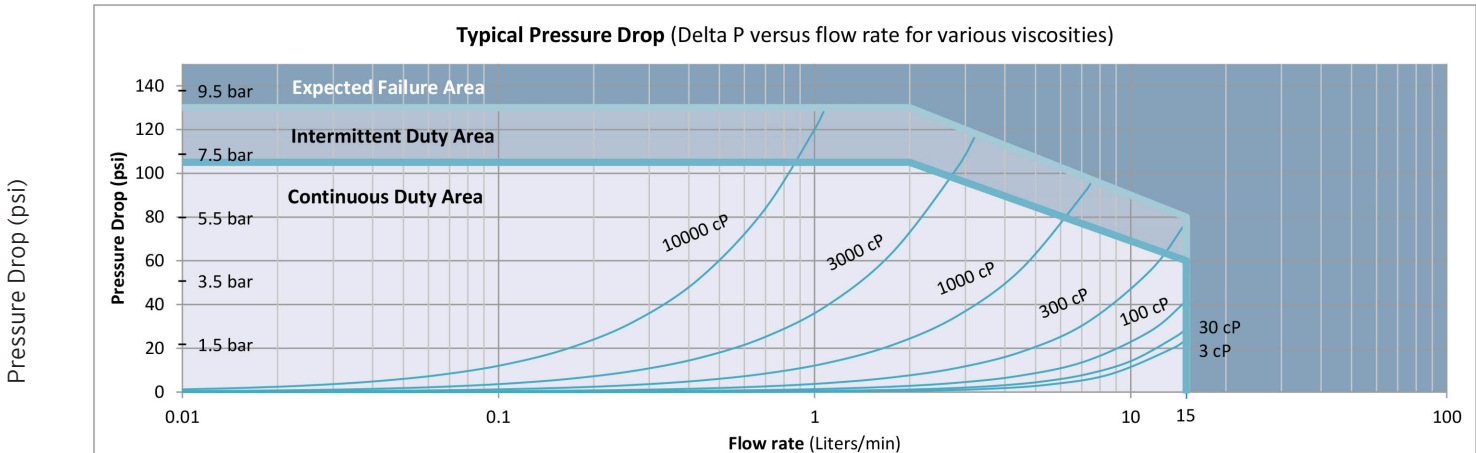
MATERIALS OF CONSTRUCTION

Body	Stainless steel, type 303
Gears and Shafts	Stainless steel, type 17-4
Bearings	All ball bearings, 440C stainless steel
Seals	Viton®- standard, Teflon®, Perfluoroelastomer – optional



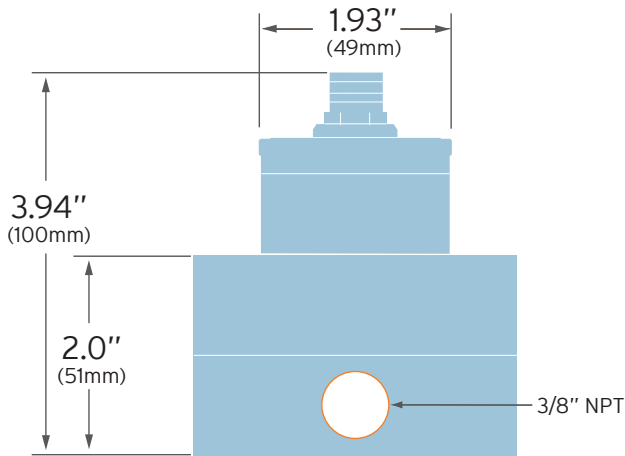
FREQUENCY TRANSMITTER

Output Signal	5 Vdc square wave – Current Sinking, 20mA max.- optional
Output Resolution	Selectable: 1 - 1000 pulses/rev (2 - 235 pulses/cc)
Optional	Quadrature square wave, 1 - 500 pulses/revolution/channel
Power Supply Requirements	5 - 26 Vdc, @ 30 mA
Ambient Operational Range	-40°C to 80°C, Single piece – Two piece to 110°C
Metered Liquid Temp Range (based on 20° ambient)	-40°C to 90°C, Standard model -40°C to 155°C, Two piece high temperature model -40°C to 225°C, Two piece, ultra high temperature model
Compliance	CE Certified, Ex-proof version available with ATEX/IECEx II 2 G Ex d IIB Tx Gb as well as UL, cUL certification for Class 1, Division 1, Groups C and D, Tx

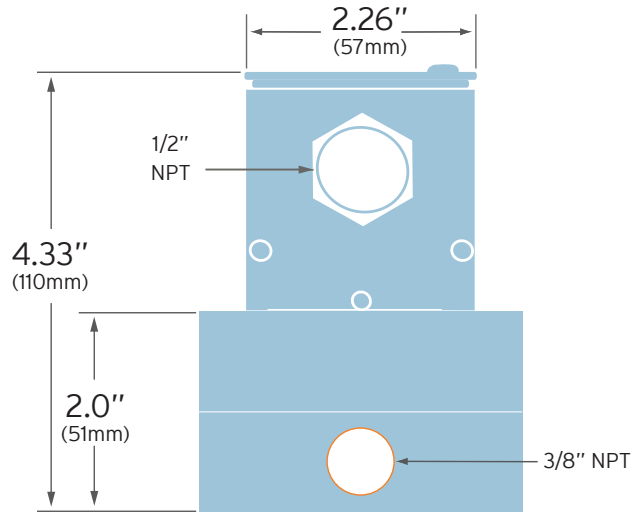


Model G015 Flow Meter (Frequency)

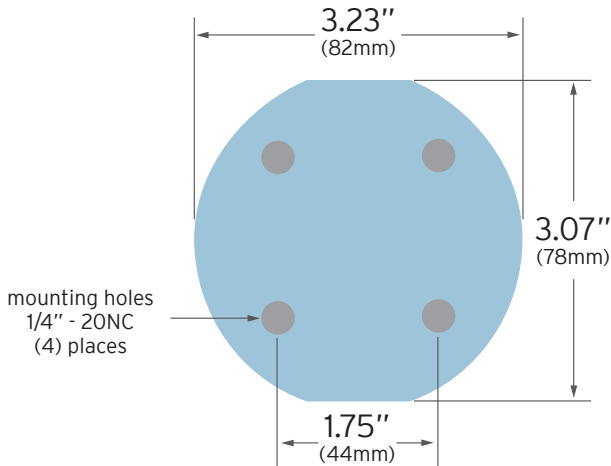
CONNECTIVITY/DIMENSIONS (Not to scale)



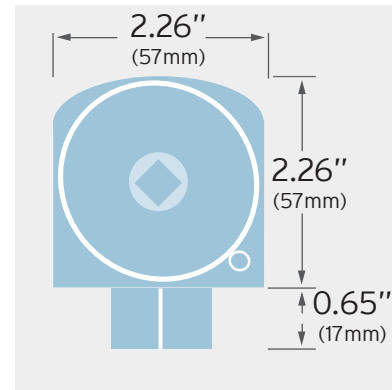
MODEL G015 WITH INDUSTRIAL HOUSING TRANSMITTER



MODEL G015 WITH EX-PROOF HOUSING TRANSMITTER



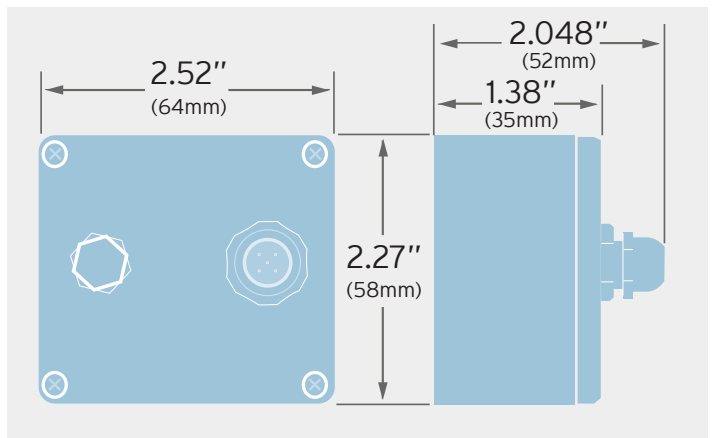
BOTTOM VIEW



EX-PROOF HOUSING TOP VIEW

ELECTRICAL CONNECTION - FREQUENCY TRANSMITTERS

Pin #	Turck® Connector		
	Mating Cable Wire Color	NPT model	
Case Ground	3	Blue	Case
Common	4	Black	Com
Power (+5-26 Vdc)	1	Brown	V+
Single Phase:			
Pulse Output	2	White	Ph A
N/A	5	Grey	NC
Quadrature:			
Output Phase A	2	White	Ph A
Output Phase B	5	Grey	Ph B



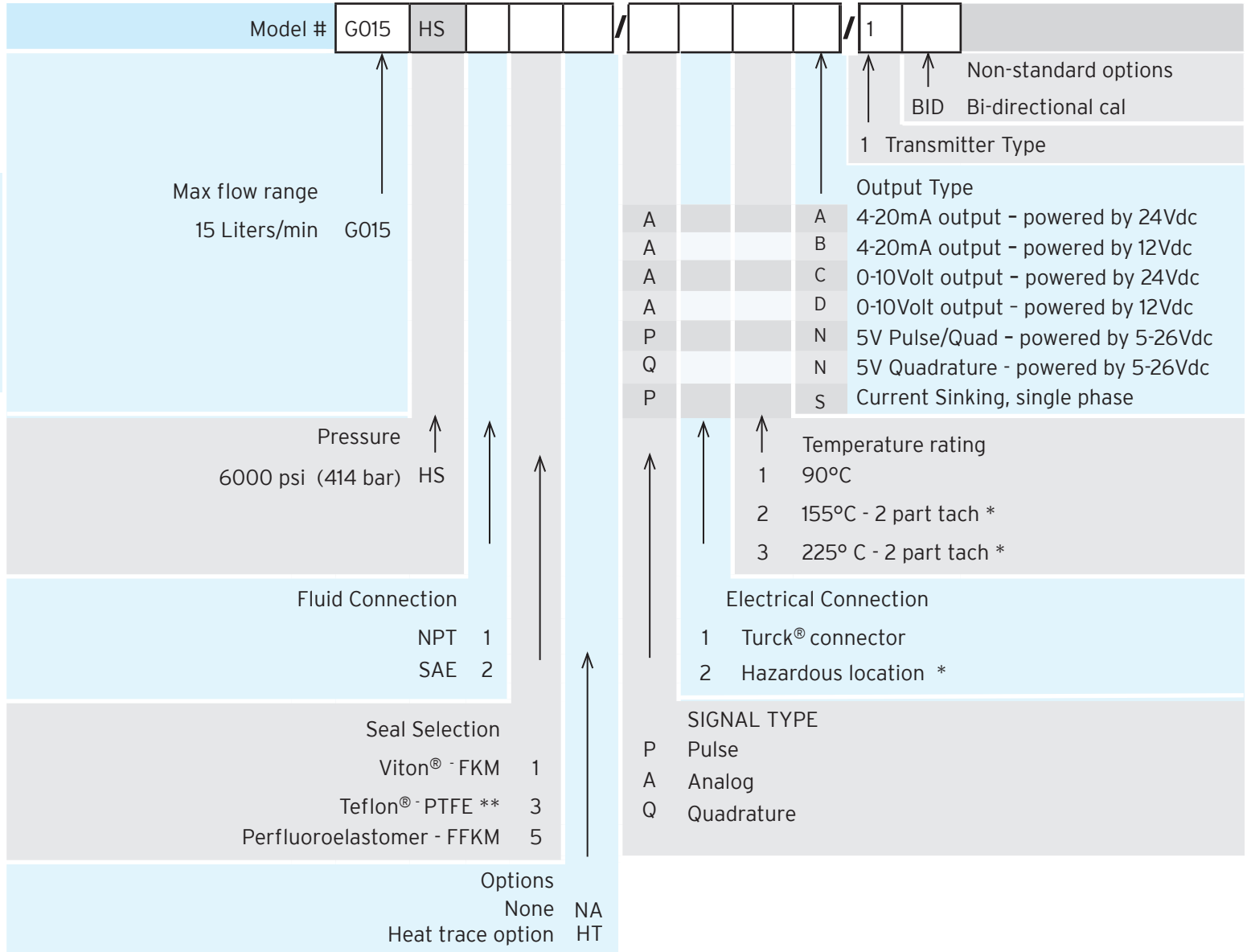
REMOTE PCA ENCLOSURE FOR HIGH TEMPERATURE TRANSMITTERS (2 meter interconnect cable, not shown)



Positive Displacement Flow Meters Gear Type, G Series

Flow Meter Selections

Transmitter Selections



Product includes single directional calibration, bi-directional calibrations for Analog and Quadrature devices are optional.

* Consult factory regarding 130°C maximum and other temperature limitations for hazardous location installations.

** Teflon® seals are not suitable for operating temperatures above 90°C for these high pressure products.