

## Model G004 Gear Flow Meter (Frequency) 0.5 cc/min to 4 liters/min

### SPECIFICATIONS

Flow Range	0.5 cc/min to 4 liters/min
Accuracy (at 30 cP)	± 0.3% of reading over a 100:1 range
Maximum Operating Pressure	414 bar (6000 psi)
Displacement	1.8 cc/rev
Weight	1.1 kg
Recommended Filtration	15 micron
Port Size(s)	1/8" NPT or #4 SAE
Fluids	Most non-aqueous, hydrocarbon based fluids

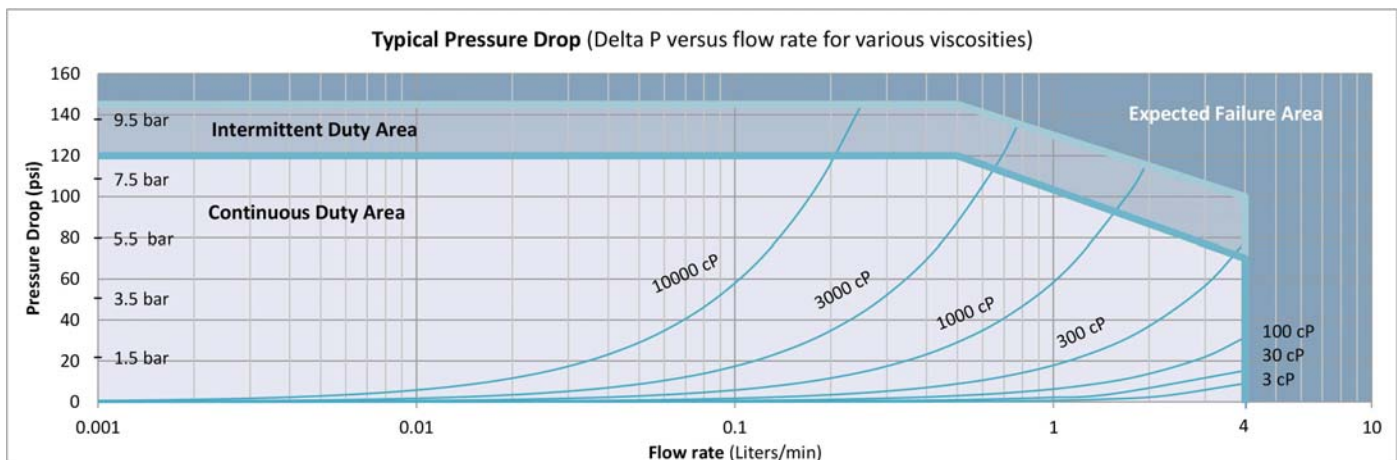


### MATERIALS OF CONSTRUCTION

Body	Stainless steel, type 303
Gears and Shafts	Stainless steel, type 17-4
Bearings	All ball bearings, 440C stainless steel
Seals	Viton®- standard, Teflon®, Perfluoroelastomer – optional

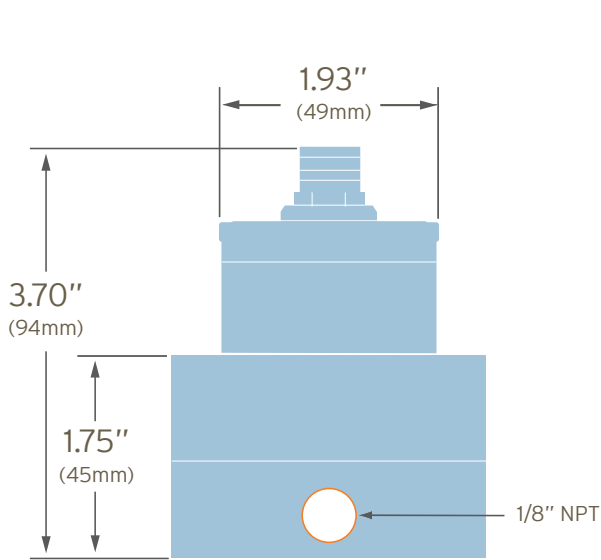
### FREQUENCY TRANSMITTER

Output Signal	5 Vdc square wave – Current Sinking, 20mA max.- optional
Output Resolution	Selectable: 1 - 1000 pulses/rev (5 - 555 pulses/cc)
Optional	Quadrature square wave, 1 - 500 pulses/revolution/channel
Power Supply Requirements	5 - 26 Vdc, @ 30 mA
Ambient Operational Range	-40°C to 80°C, Single piece – Two piece to 110°C
Metered Liquid Temp Range (based on 20° ambient)	-40°C to 90°C, Standard model -40°C to 155°C, Two piece high temperature model -40°C to 225°C, Two piece, ultra high temperature model
Compliance	CE Certified, Ex-proof version available with ATEX/IECEx II 2 G Ex db IIB Tx Gb as well as UL, cUL certification for Class 1, Division 1, Groups C and D, Tx

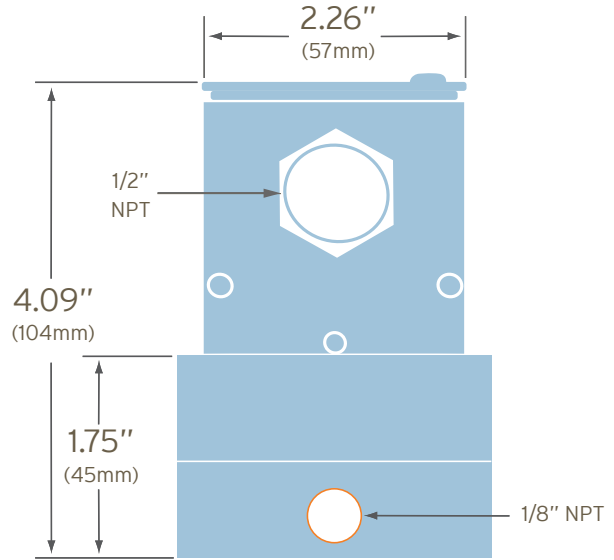


# Model G004 Flow Meter (Frequency)

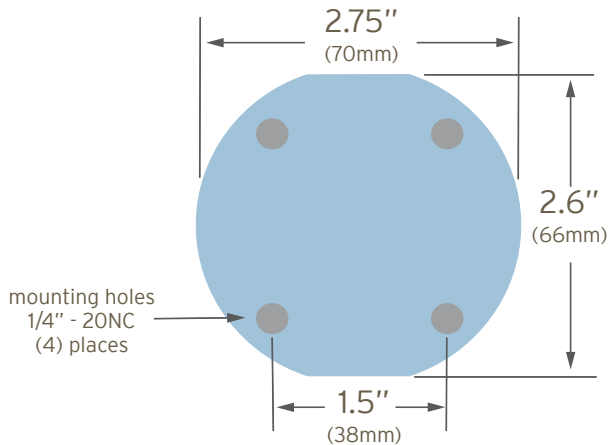
CONNECTIVITY/DIMENSIONS (Not to scale)



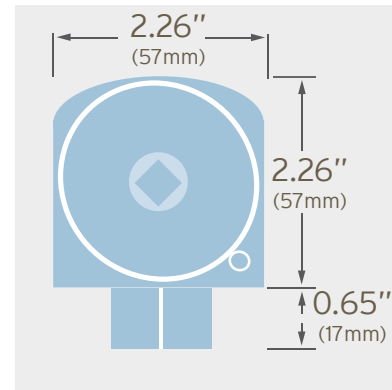
MODEL G004 WITH INDUSTRIAL HOUSING TRANSMITTER



MODEL G004 WITH EX-PROOF HOUSING TRANSMITTER



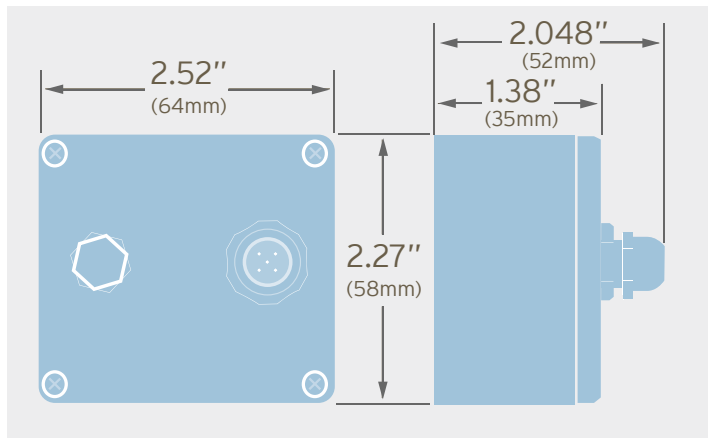
BOTTOM VIEW



EX-PROOF HOUSING TOP VIEW

## ELECTRICAL CONNECTION - FREQUENCY TRANSMITTERS

	Turck® Connector		
	PCA Label	Pin #	Mating Cable Wire Color
Power (+5 to 26 Vdc)	V+	1	Brown
Common	Com	4	Black
Pulse Output	Ph A	2	White
Output Phase B (Quad only)	Ph B	5	Grey
Case Ground	Case	3	Blue



REMOTE PCA ENCLOSURE FOR HIGH TEMPERATURE TRANSMITTERS (2 meter interconnect cable, not shown)

## Positive Displacement Flow Meters Gear Type, G Series

### Flow Meter Selections

Model #	G004	HS				
Max flow range	4 Liters/min	G004				
Pressure	6000 psi (414 bar)	HS				
Fluid Connection	NPT	1	SAE	2		
Seal Selection	Viton® - FKM	1	Teflon® - PTFE **	3	Perfluoroelastomer - FFKM	5
Options	None	NA	Heat trace option	HT		

### Transmitter Selections

						1	-		Non-standard options
						1			Bi-directional cal BID
						1			1 Transmitter Type
									Output Type
A						A			4-20mA output - powered by 24Vdc
A						B			4-20mA output - powered by 12Vdc
A						C			0-10Volt output - powered by 24Vdc
A						D			0-10Volt output - powered by 12Vdc
P						N			5V Pulse/Quad - powered by 5-26Vdc
Q						N			5V Quadrature - powered by 5-26Vdc
P						S			Current Sinking, single phase
									Temperature rating
						1			90°C
						2			155°C - 2 part tach *
						3			225° C - 2 part tach *
									Electrical Connection
						1			Turck® connector
						2			Hazardous location *
									SIGNAL TYPE
P									Pulse
A									Analog
Q									Quadrature

Product includes single directional calibration, bi-directional calibrations for Analog and Quadrature devices are optional.

\* Consult factory regarding 130°C maximum and other temperature limitations for hazardous location installations.

\*\* Teflon® seals are not suitable for operating temperatures above 90°C for these high pressure products.