

Model 122 Pulse Input Rate/Totalizer Instruction Manual



- Pulse, Open Collector, NPN, PNP, TTL, Switch Contact, Sine Wave (Coil), Square Wave Inputs
- Gate Function for Rate Display of Slow Pulse Rates
- NEMA 4X, IP65 Front
- Large Dual-Line 6-Digit Display, 0.60" & 0.46"
- Isolated 24 VDC Transmitter Power Supply
- Programmable Displays & Function Keys
- Sunlight Readable Display Models
- Rate Displayed as Units per Second, Minute, Hour, or Day
- Total, Grand Total or Non-Resettable Grand Total
- 9-Digit Totalizer with Total Overflow Feature
- K-Factor Calibration or Scale with up to 32-Point Linearization
- Isolated 4-20 mA Output for Rate/Total/Grand Total
- USB, RS-232 & RS-485 Serial Communication Options
- Modbus® RTU Communication Protocol Standard

Max Machinery Inc
33A Healdsburg Ave
Healdsburg CA 95448 USA
Tel (707) 433-2662
Fax (707) 433-1818

max

www.maxmachinery.com

Disclaimer

The information contained in this document is subject to change without notice. Max Machinery makes no representations or warranties with respect to the contents hereof; and specifically disclaims any implied warranties of merchantability or fitness for a particular purpose.



CAUTION: *Read complete instructions prior to installation and operation of the meter.*



WARNING: *Risk of electric shock or personal injury.*

**WARNING:**

This product is not recommended for life support applications or applications where malfunctioning could result in personal injury or property loss. Anyone using this product for such applications does so at his/her own risk. Max Machinery Incorporated shall not be held liable for damages resulting from such improper use.

Limited Warranty

Max Machinery Incorporated warrants this product against defects in material or workmanship for the specified period under "Specifications" from the date of shipment from the factory. Max Machinery's liability under this limited warranty shall not exceed the purchase value, repair, or replacement of the defective unit.

Registered Trademarks

All trademarks mentioned in this document are the property of their respective owners.

© 2015 Max Machinery Incorporated. All rights reserved.

www.maxmachinery.com

Table of Contents

INTRODUCTION	5
ORDERING INFORMATION	5
SPECIFICATIONS	6
General	6
Rate Input	7
Rate/Totalizer	8
Isolated 4-20 mA Transmitter Output	9
Modbus® RTU Serial Communications	10
COMPLIANCE INFORMATION	11
Safety	11
Electromagnetic Compatibility	11
SAFETY INFORMATION	12
INSTALLATION	13
Unpacking	13
Panel Mounting Instructions	13
Transmitter Supply Voltage Selection (P+, P-)	15
Connections	15
Connectors Labeling	16
Power Connections	16
Signal Connections	17
F4 Digital Input Connections	17
4-20 mA Output Connections	18
Analog Output Transmitter Power Supply	18
SETUP AND PROGRAMMING	19
Front Panel Buttons and Status LED Indicators	20
Display Functions and Messages	21
Main Menu	23
Setting Numeric Values	24
Setting up the Rate/Totalizer Meter (SEtUP)	25
Setting the Input Signal (InPUL)	26
Setting the Totalizer Features (tOtAL)	26
Setting the Input Units or Custom Tags (un iT5)	27
Setting the Decimal Point (dEc PL)	28
Programming the Rate/Totalizer (Pr oG)	28
K-Factor Calibration (FRcAL)	29
Multi-Point Calibration & Scaling	29
Scaling the Meter (ScALe)	30
Gate Function (GRtE)	31

Model 122 Pulse Input Rate/Totalizer	Instruction Manual
Contact De-Bounce Filter (<i>FILTER</i>)	32
Time Base, Total Conversion Factor & Total Reset	33
Calibrating the Meter with External Source (<i>LR</i>)	34
Setting the Display Parameter & Intensity (<i>dSPLY</i>)	35
Display Setup Menu	36
Front Panel LEDs (<i>RELAY</i>)	37
Scaling the 4-20 mA Analog Output (<i>ROUT</i>)	37
Reset Menu (<i>RESET</i>)	38
Control Menu (<i>CONTROL</i>)	38
Setting up the Password (<i>PRSS</i>)	38
Protecting or Locking the Meter	39
Total Reset Password & Non-Resettable Total	39
Making Changes to a Password Protected Meter	40
Disabling Password Protection	40
Advanced Features Menu	41
Advanced Features Menu & Display Messages	42
Rounding Feature (<i>ROUND</i>)	44
Select Menu (<i>SELECT</i>)	45
Signal Input Conditioning (<i>FUNCTION</i>)	45
Multi-Point Linearization (<i>LINEAR</i>)	45
Low-Flow Cutoff (<i>CUTOFF</i>)	46
Analog Output Programming (<i>ROUTPR</i>)	46
Programmable Function Keys User Menu (<i>USER</i>)	47
METER OPERATION	48
Front Panel Buttons Operation	48
Function Keys Operation	48
F4 Operation	49
Maximum/Minimum Readings	49
TROUBLESHOOTING	50
Diagnostics Menu (<i>DIAG</i>)	50
Determining Software Version	50
Reset Meter to Factory Defaults	51
Factory Defaults & User Settings	52
Troubleshooting Tips	54
Alphabetical List of Display Functions & Messages	55

Table of Figures

Figure 1: 1/8 DIN Panel Cutout and Mounting.....	13
Figure 2: Meter Dimensions - Side View.....	14
Figure 3: Meter Dimensions - Top View.....	14
Figure 4: Transmitter Supply Voltage Selection.....	15
Figure 5: Connector Labeling for Model 122.....	16
Figure 6: Power Connections.....	16
Figure 7: Flowmeter Powered by Internal Power Supply.....	17
Figure 8. F4 Digital Input Connections.....	17
Figure 9: 4-20 mA Output Connections.....	18

INTRODUCTION

The Model 122 is a multipurpose, easy to use pulse rate/totalizer ideal for flow rate, total, and control applications. It accepts pulse (e.g. ± 40 mV to ± 8 V), square wave (0-5 V, 0-12 V, or 0-24 V), open collector, NPN, PNP, TTL or switch contact signals. Three of the front panel buttons can be custom-programmed for specific operation. The basic model includes an isolated 24 VDC transmitter power supply that can be used to power the input transmitter or other devices.

ORDERING INFORMATION

Model Number	Reorder Number
PD6300-6R3-MM	122-200-000

SPECIFICATIONS

Except where noted all specifications apply to operation at +25°C.

General

DISPLAY	Upper display: 0.6" (15 mm) high, red LEDs Lower display: 0.46" (12 mm) high, red LEDs 6 digits: each (-99999 to 999999), with lead zero blanking.
DISPLAY INTENSITY	Eight user selectable intensity levels
DISPLAY UPDATE RATE	Rate: 10 per second; up to 1 per 100 seconds (and is a function of Low Gate setting) Total: 10 per second (fixed)
OVERRANGE	Display flashes 999999
DISPLAY ASSIGNMENT	The Upper and Lower displays may be assigned to rate, total, grand total, alternate rate & total, max/min, units (lower display only), set points, Modbus input, & more.
PROGRAMMING METHODS	Four front panel buttons, digital inputs, Modbus registers, or cloning using Copy function.
RECALIBRATION	All ranges are calibrated at the factory to read frequency in Hz. No recalibration required.
MAX/MIN DISPLAY	Max/min readings reached by the process are stored until reset by the user or until power to the meter is cycled.
PASSWORD	Three programmable passwords restrict modification of programmed settings and two prevent resetting the totals. Pass 1: Allows use of function keys and digital inputs Pass 2: Allows use of function keys, digital inputs and editing set/reset points Pass 3: Restricts all programming, function keys, and digital inputs. Total: Prevents resetting the total manually Gtotal: Prevents resetting the grand total manually
NON-VOLATILE MEMORY	All programmed settings are stored in non-volatile memory for a minimum of ten years if power is lost.
POWER OPTIONS	85-265 VAC 50/60 Hz, 90-265 VDC, 20 W max
FUSE	Required external fuse: UL Recognized, 5 A max, slow blow; up to 6 meters may share one 5 A fuse
ISOLATED TRANSMITTER POWER SUPPLY	Terminals P+ & P-: 24 VDC \pm 10% selectable for 24, 10, or 5 VDC supply (internal jumper J4). 85-265 VAC models rated @ 200 mA max.
ISOLATION	4 kV input/output-to-power line 500 V input-to-output or output-to-P+ supply

OVERVOLTAGE CATEGORY	Installation Overvoltage Category II: Local level with smaller transient overvoltages than Installation Overvoltage Category III.
ENVIRONMENTAL	Operating temperature range: -40 to 65°C Storage temperature range: -40 to 85°C Relative humidity: 0 to 90% non-condensing
CONNECTIONS	Removable screw terminal blocks accept 12 to 22 AWG wire, RJ45 for external relays, digital I/O, and serial communication adapters.
ENCLOSURE	1/8 DIN, high impact plastic, UL 94V-0, color: black
MOUNTING	1/8 DIN panel cutout required: 3.622" x 1.772" (92 mm x 45 mm) Two panel mounting bracket assemblies are provided.
TIGHTENING TORQUE	Screw terminal connectors: 5 lb-in (0.56 Nm)
OVERALL DIMENSIONS	4.68" x 2.45" x 5.64" (119 mm x 62 mm x 143 mm) (W x H x D)
WEIGHT	9.5 oz (269 g)
WARRANTY	3 years parts & labor


Rate Input

INPUTS	Field selectable: Pulse or square wave 0-5 V, 0-12 V, or 0-24 V @ 30 kHz; TTL; open collector 4.7 k Ω pull-up to 5 V @ 30 kHz; NPN or PNP transistor, switch contact 4.7 k Ω pull-up to 5 V @ 40 Hz; Modbus PV (Slave)
LOW VOLTAGE MAG PICKUP (Isolated)	Sensitivity: 40 mVp-p to 8Vp-p
MINIMUM INPUT FREQUENCY	0.001 Hz Minimum frequency is dependent on high gate setting.
MAXIMUM INPUT FREQUENCY	30,000 Hz (10,000 for low voltage mag pickup)
INPUT IMPEDANCE	Pulse input: Greater than 300 k Ω @ 1 kHz. Open collector/switch input: 4.7 k Ω pull-up to 5 V.
ACCURACY	$\pm 0.03\%$ of calibrated span ± 1 count
TEMPERATURE DRIFT	Rate display is not affected by changes in temperature.
MULTI-POINT LINEARIZATION	2 to 32 points

LOW-FLOW CUTOFF	0-999999 (0 disables cutoff function)
DECIMAL POINT	Up to five decimal places or none: <i>d.ddddd, d.ddddd, d.dddd, d.ddd, d.d, or d.ddddd</i>
CALIBRATION	May be calibrated using K-factor, internal calibration, or by applying an external calibration signal.
K-FACTOR	Field programmable K-factor converts input pulses to rate in engineering units. May be programmed from 0.00001 to 999,999 pulses/unit.
CALIBRATION RANGE	Input 1 signal may be set anywhere in the range of the meter; input 2 signal may be set anywhere above or below input 1 setting. Minimum input span between any two inputs is 10 Hz. An error message will appear if the input 1 and input 2 signals are too close together.
FILTER	Programmable contact de-bounce filter: 40 to 999 Hz maximum input frequency allowed with low speed filter.
TIME BASE	Second, minute, hour, or day
GATE	Low gate: 0.1-99.9 seconds High gate: 2.0-999.9 seconds
F4 DIGITAL INPUT CONTACTS	3.3 VDC on contact. Connect normally open contacts across F4 to COM.
F4 DIGITAL INPUT LOGIC LEVELS	Logic High: 3 to 5 VDC Logic Low: 0 to 1.25 VDC

Rate/Totalizer

DISPLAY ASSIGNMENT	The Upper and Lower displays may be assigned to rate, total, grand total, alternate rate/total, alternate rate/grand total, set points, alternate rate/units, alternate total/units, alternate grand total/units, display Hi, display Lo, display Hi/Lo, display Modbus, display units (lower display) and display Off (lower display).
RATE DISPLAY INDICATION	-99999 to 999999, lead zero blanking. "R" LED illuminates while displaying rate or frequency.
TOTAL DISPLAY & TOTAL OVERFLOW	0 to 999,999; automatic lead zero blanking. "T" LED is illuminated while displaying total or grand total. Up to 999,999,999 with total-overflow feature. "dF" is displayed to the left of total overflow and ▲ LED is illuminated.
ALTERNATING DISPLAY	Either display may be programmed to alternate between rate and total or rate and grand total every 10 seconds.
TOTAL DECIMAL POINT	Up to five decimal places or none: <i>d.ddddd, d.ddddd, d.dddd, d.ddd, d.d, or d.ddddd</i> Total decimal point is independent of rate decimal point.

TOTALIZER	Calculates total based on rate and field programmable multiplier to display total in engineering units. Time base must be selected according to the time units in which the rate is displayed.
TOTALIZER ROLLOVER	Totalizer rolls over when display exceeds 999,999,999. Relay status reflects display.
TOTAL OVERFLOW OVERRIDE	Program total reset for automatic with 0.1 second delay and set point 1 for 999,999
TOTALIZER PRESETS	Up to eight, user selectable under setup menu. Any set point can be assigned to total and may be programmed anywhere in the range of the meter for total alarm indication.
PROGRAMMABLE DELAY ON RELEASE	0.1 and 999.9 seconds; applied to the first relay assigned to total or grand total. If the meter is programmed to reset total to zero automatically when the preset is reached, then a delay will occur before the total is reset.
TOTAL RESET	Via front panel button, external contact closure on digital inputs, automatically via user selectable preset value and time delay, or through serial communications.
TOTAL RESET PASSWORD	Total and grand total passwords may be entered to prevent resetting the total or grand total from the front panel.
NON-RESETTABLE TOTAL	The grand total can be programmed as a non-resettable total by entering the password "050873".
	 <p>Caution! Once the Grand Total has been programmed as "non-resettable" the feature cannot be disabled.</p>

Isolated 4-20 mA Transmitter Output

OUTPUT SOURCE	Rate/process, total, grand total, max, min, set points 1-8, Modbus input or manual control mode
SCALING RANGE	1.000 to 23.000 mA for any display range.
CALIBRATION	Factory calibrated: 0.0 to 1000.0 = 4-20 mA output
ANALOG OUT PROGRAMMING	23.000 mA maximum for all parameters: Overrange, underrange, max, min, and break
ACCURACY	$\pm 0.1\%$ FS ± 0.004 mA
TEMPERATURE DRIFT	0.4 $\mu\text{A}/^\circ\text{C}$ max from 0 to 65°C ambient, 0.8 $\mu\text{A}/^\circ\text{C}$ max from -40 to 0°C ambient <i>Note: Analog output drift is separate from input drift.</i>

ISOLATED TRANSMITTER POWER SUPPLY	Terminals I+ & R: 24 VDC \pm 10%. May be used to power the 4-20 mA output or other devices. Refer to Figure 6 on page 16 and Figure 15 on page 18. All models rated @ 40 mA max.		
EXTERNAL LOOP POWER SUPPLY	35 VDC maximum		
OUTPUT LOOP RESISTANCE	Power supply	Minimum	Maximum
	24 VDC	10 Ω	700 Ω
	35 VDC (external)	100 Ω	1200 Ω

Modbus[®] RTU Serial Communications

SLAVE ID	1 – 247 (Meter address)
BAUD RATE	300 - 19,200 bps
TRANSMIT TIME DELAY	Programmable between 0 and 199 ms
DATA	8 bit (1 start bit, 1 or 2 stop bits)
PARITY	Even, Odd, or None with 1 or 2 stop bits
BYTE-TO-BYTE TIMEOUT	0.01 – 2.54 second
TURN AROUND DELAY	Less than 2 ms (fixed)

Note: Refer to the Modbus Register Tables located at www.maxmachinery.com for details.

COMPLIANCE INFORMATION**Safety**

UL & c-UL LISTED	USA & Canada UL 508 Industrial Control Equipment
UL FILE NUMBER	E160849
FRONT PANEL	UL Type 4X, NEMA 4X, IP65; panel gasket provided
LOW VOLTAGE DIRECTIVE	EN 61010-1:2010 Safety requirements for measurement, control, and laboratory use

Electromagnetic Compatibility

EMISSIONS	EN 55022:2010 Class A ITE emissions requirements
Radiated Emissions	Class A
AC Mains Conducted Emissions	Class A
IMMUNITY	EN 61326-1:2013 Measurement, control, and laboratory equipment EN 61000-6-2:2005 EMC heavy industrial generic immunity standard
RFI - Amplitude Modulated	80 -1000 MHz 10 V/m 80% AM (1 kHz) 1.4 - 2.0 GHz 3 V/m 80% AM (1 kHz) 2.0 - 2.7 GHz 1 V/m 80% AM (1 kHz)
Electrical Fast Transients	±2kV AC mains, ±1kV other
Electrostatic Discharge	±4kV contact, ±8kV air
RFI - Conducted	10V, 0.15-80 MHz, 1kHz 80% AM
AC Surge	±2kV Common, ±1kV Differential
Surge	1KV (CM)
Power-Frequency Magnetic Field	30 A/m 70%V for 0.5 period
Voltage Dips	40%V for 5 & 50 periods 70%V for 25 periods
Voltage Interruptions	<5%V for 250 periods

Note:

Testing was conducted on Model 122 meters installed through the covers of grounded metal enclosures with cable shields grounded at the point of entry representing installations designed to optimize EMC performance.

Declaration of Conformity available at www.maxmachinery.com

SAFETY INFORMATION

CAUTION: Read complete instructions prior to installation and operation of the meter.



WARNING: Risk of electric shock or personal injury.



Warning!

Hazardous voltages exist within enclosure. Installation and service should be performed only by trained service personnel.

INSTALLATION

There is no need to remove the meter from its case to complete the installation, wiring, and setup of the meter for most applications. Instructions are provided for changing the transmitter power supply to output 5 or 10 VDC instead of 24 VDC, see page 15.

Unpacking

Remove the meter from box. Inspect the packaging and contents for damage. Report damages, if any, to the carrier. If any part is missing or the meter malfunctions, please contact your supplier or the factory for assistance.

Panel Mounting Instructions

- Prepare a standard 1/8 DIN panel cutout – 3.622" x 1.772" (92 mm x 45 mm). Refer to Figure 1 for more details.
- Clearance: allow at least 6.0" (152 mm) behind the panel for wiring.
- Panel thickness: 0.04" - 0.25" (1.0 mm - 6.4 mm). Recommended minimum panel thickness to maintain Type 4X rating: 0.06" (1.5 mm) steel panel, 0.16" (4.1 mm) plastic panel.
- Remove the two mounting brackets provided with the meter (back-off the two screws so that there is 1/4" (6.4 mm) or less through the bracket. Slide the bracket toward the front of the case and remove).
- Insert meter into the panel cutout.
- Install mounting brackets and tighten the screws against the panel. To achieve a proper seal, tighten the mounting bracket screws evenly until meter is snug to the panel along its short side. **DO NOT OVER TIGHTEN**, as the rear of the panel may be damaged.

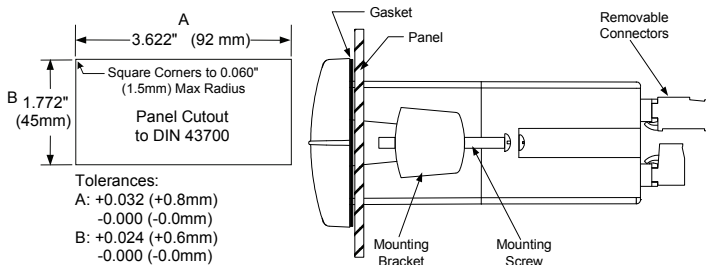


Figure 1: 1/8 DIN Panel Cutout and Mounting

Mounting Dimensions

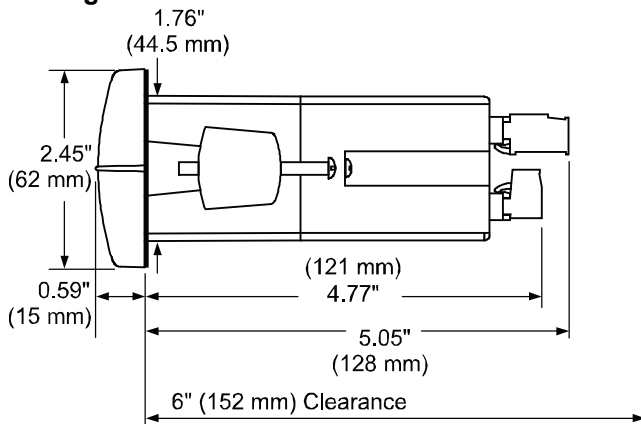


Figure 2: Meter Dimensions - Side View

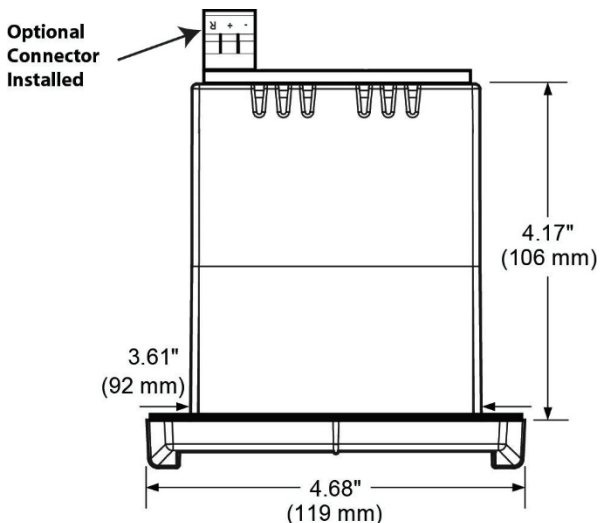


Figure 3: Meter Dimensions - Top View

Transmitter Supply Voltage Selection (P+, P-)

All meters are shipped from the factory configured to provide 24 VDC power for the transmitter or sensor.

If the transmitter requires 5 or 10 VDC excitation, the internal jumper J4 must be configured accordingly.

To access the voltage selection jumper:

1. Remove all the connectors.
2. Unscrew the back cover.
3. Slide the back cover about 1 inch.
4. Configure the J4 jumper, located behind the input signal connector, for the desired excitation voltage as shown.

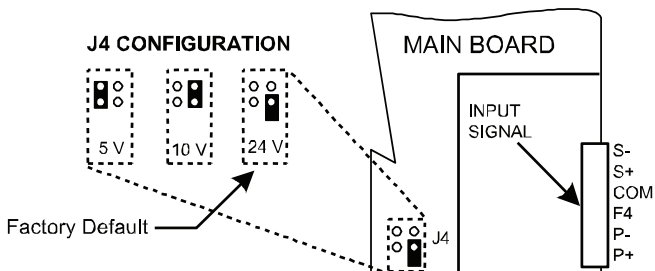


Figure 4: Transmitter Supply Voltage Selection

Connections

All connections are made to removable screw terminal connectors located at the rear of the meter.



Caution!

Use copper wire with 60°C or 60/75°C insulation for all line voltage connections. Observe all safety regulations. Electrical wiring should be performed in accordance with all applicable national, state, and local codes to prevent damage to the meter and ensure personnel safety.

Connectors Labeling

The connectors' label, affixed to the meter, shows the location of all connectors available with requested configuration.



Warning!

The RJ45 M-LINK connector is for factory use only. Do not connect standard RJ45 cable, otherwise damage will occur to the equipment and the meter.

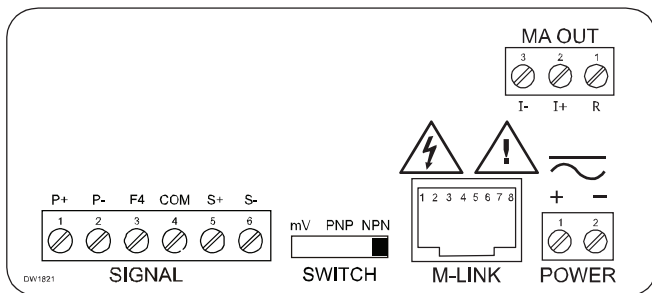
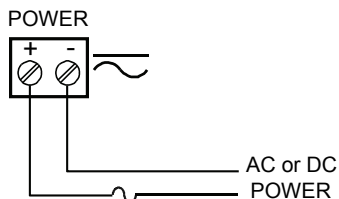


Figure 5: Connector Labeling for Model 122

Power Connections

Power connections are made to a two-terminal connector labeled POWER on Figure 5. The meter will operate regardless of DC polarity connection. The + and - symbols are only a suggested wiring convention.



Required External Fuse:
5 A max, 250 V Slow Blow

Figure 6: Power Connections

Signal Connections

Signal connections are made to a six-terminal connector labeled SIGNAL on Figure 5. The COM (common) terminal is the return for the input signals.

Setup and programming is performed through the front panel buttons.

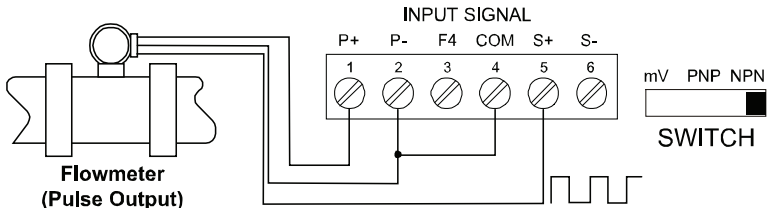


Figure 7: Flowmeter Powered by Internal Power Supply

F4 Digital Input Connections

A digital input, F4, is standard on the meter. This digital input connected with a normally open closure across F4 and COM, or with an active low signal applied to F4.

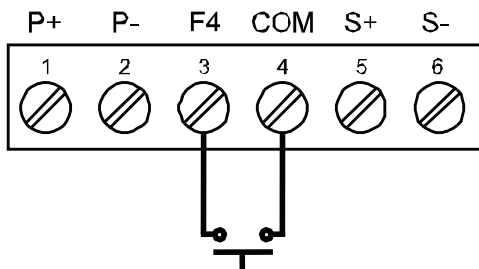


Figure 8. F4 Digital Input Connections

4-20 mA Output Connections

Connections for the 4-20 mA transmitter output are made to the connector terminals labeled MA OUT. The 4-20 mA output may be powered internally or from an external power supply.

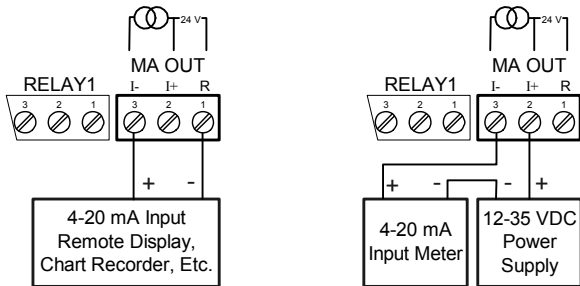


Figure 9: 4-20 mA Output Connections

Analog Output Transmitter Power Supply

The internal 24 VDC power supply powering the analog output may be used to power other devices, if the analog output is not used. The I+ terminal is the +24 V and the R terminal is the return.

SETUP AND PROGRAMMING

- The meter has been factory calibrated to read input frequency in Hz (pulses/sec). The calibration equipment is certified to NIST standards.
- Use the *K-Factor* menu to match the rate/totalizer with a flowmeter's k-factor (pulse/unit of measure).
- Or use the *Scale* menu to scale the pulse input (pulse/sec) without a signal source.
- Or use *Cal* menu to calibrate the rate/totalizer using a signal source.

Overview

There are two switches, located to the right of the input connector, which must be configured according to the input level and type. Jumper J4 located inside the meter, behind the input signal connector, is used to select the excitation voltage (24 V*, 10 V or 5 V) which is supplied to the P+ and P- wiring terminals.

Setup and programming is done through the front panel buttons.

After power and input signal connections have been completed and verified, apply power to the meter.

**Default setting*

Front Panel Buttons and Status LED Indicators



Button Symbol	Description
	Menu
	Right arrow/F1
	Up arrow/F2
	Enter/F3
<p><i>Note:</i> F4 is a digital input.</p>	

LED	Status
1-4	Alarm 1 – 4 indicator
R	Rate indicator
T	Total indicator
G T	Grand Total indicator
▲	Total overflow indicator
M	Manual control relays &/or analog output

- Press the Menu button to enter or exit the Programming Mode at any time.
- Press the Right arrow button to move to the next digit during digit or decimal point programming.
- Press or hold the Up arrow button to scroll through the menus, decimal point, or press or hold to increment the value of a digit.
- Press the Enter button to access a menu or to accept a setting.
- Press and hold the Menu button for three seconds to access the *Advanced Features* of the meter.

Display Functions and Messages

The meter displays various functions and messages during setup, programming, and operation. The following table shows the main menu functions and messages in the order they appear in the menu.

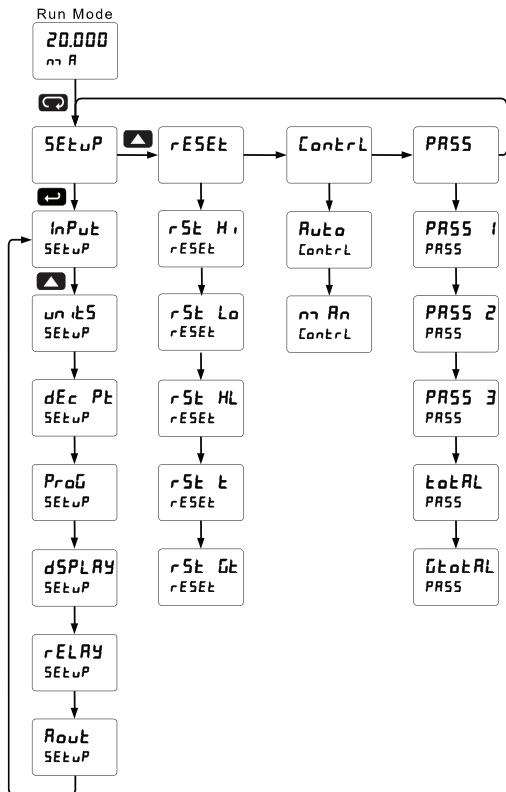
Display	Parameter	Action/Setting Description
SEtUP	Setup	Enter Setup menu
inPUt	Input	Enter Input selection menu
tOtAL	Total	Enable or disable totalizer features
unITS	Units	Select the display units/tags
rATE	Rate	Select the display units for rate
tOtAL	Total	Select the display units for total
GrOtAL	Grand Total	Select the display units for grand total
dEc Pt	Decimal point	Set decimal point for rate, total, grand total
Prog	Program	Enter the Program menu
inCAL	Input Calibration	Enter the Input Calibration menu
FRActOr	K-factor Scaling	Programs unit to convert input pulse to rate in engineering units
SCALE	Scale	Enter the Scale menu
CAL	Calibrate	Enter the Calibrate menu
inP 1	Input 1	Calibrate input 1 signal or program input 1 value
dIS 1	Display 1	Program display 1 value
inP 2	Input 2	Calibrate input 2 signal or program input 2 value (up to 32 points)
dIS 2	Display 2	Program display 2 value (up to 32 points)
Error	Error	Error, calibration not successful, check signal or programmed value
t tB	Total time base	Program total time base
t CF	Total conversion factor	Program total conversion factor
t rSt	Total reset	Program total reset mode: auto or manual
Gr tB	Grand total time base	Program grand total time base
Gr CF	Grand total conversion factor	Program grand total conversion factor
Gr t rSt	Grand total reset	Program grand total reset mode: auto or manual
Auto	Automatic	Press Enter to set automatic total reset

Display	Parameter	Action/Setting Description
Ⓔ ⒹⒻ	<i>Time delay</i>	Program time delay for total auto reset
Ⓝ Ⓜ	<i>Manual</i>	Press Enter to reset total manually
dSPLR	<i>Display</i>	Enter the <i>Display</i> menu
Ⓟ Ⓡ	<i>Upper display</i>	Press Enter to assign the Upper display parameter (default: PV or rate)
Ⓕ ⓇⒻⒺ	<i>Lower display</i>	Press Enter to assign the lower display parameter (default: total)
d- ⓇⒻ	<i>Display intensity</i>	Set display intensity level from 1 to 8
ⓂⓇⓇ	<i>Analog output</i>	Enter the <i>Analog output</i> scaling menu
d Ⓡ 1	<i>Display 1</i>	Program display 1 value
ⓇⓇ 1	<i>Output 1</i>	Program output 1 value (e.g. 4.000 mA)
d Ⓡ 2	<i>Display 2</i>	Program display 2 value
ⓇⓇ 2	<i>Output 2</i>	Program output 2 value (e.g. 20.000 mA)
rESEt	<i>Reset</i>	Press Enter to access the <i>Reset</i> menu
r5t H	<i>Reset high</i>	Press Enter to reset max display
r5t L	<i>Reset low</i>	Press Enter to reset min display
r5t HL	<i>Reset high & low</i>	Press Enter to reset max & min displays
r5t t	<i>Reset total</i>	Press Enter to reset total
r5t Ⓡ	<i>Reset grand total</i>	Press Enter to reset grand total
ⒻⓃⓇⒻⒻ	<i>Control</i>	Enter <i>Control</i> menu
ⓂⓇⓇⓇ	<i>Automatic</i>	Press Enter to set meter for automatic operation
Ⓝ Ⓜ	<i>Manual</i>	Press Enter to manually control relays or analog output operation
PR55	<i>Password</i>	Enter the <i>Password</i> menu
PR55 1*	<i>Password 1*</i>	Set or enter Password 1* (*1, 2, or 3)
ⒻⓇⒻⒻⒻ	<i>Total password</i>	Set or enter password for manual reset
ⓇⒻⓇⒻⒻⒻ	<i>Grand total password</i>	Set or enter password for manual reset
ⓃⓃⓇ5t	<i>Non-resettable</i>	Non-resettable grand total set after entering "050873" for Gtotal password
ⓇⒻⒻⒻ	<i>Unlocked</i>	Program password to lock meter
ⒻⒻⒻ	<i>Locked</i>	Enter password to unlock meter
999999	<i>Flashing display</i>	Overrange condition

Main Menu

The main menu consists of the most commonly used functions: *Reset*, *Control*, *Setup*, and *Password*.

- Press Menu button to enter Programming Mode then press the Up arrow button to scroll through the main menu.



- Press Menu at any time to exit and return to Run Mode. Changes made to settings prior to pressing Enter are not saved.
- Changes to the settings are saved to memory only after pressing Enter.
- The display moves to the next menu every time a setting is accepted by pressing Enter.

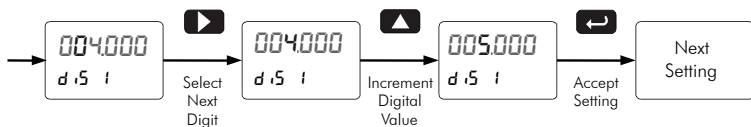
Setting Numeric Values

The numeric values are set using the Right and Up arrow buttons. Press Right arrow to select next digit and Up arrow to increment digit value.

The digit being changed is displayed brighter than the rest.

Press and hold up arrow to auto-increment the display value.

Press the Enter button, at any time, to accept a setting or Menu button to exit without saving changes.

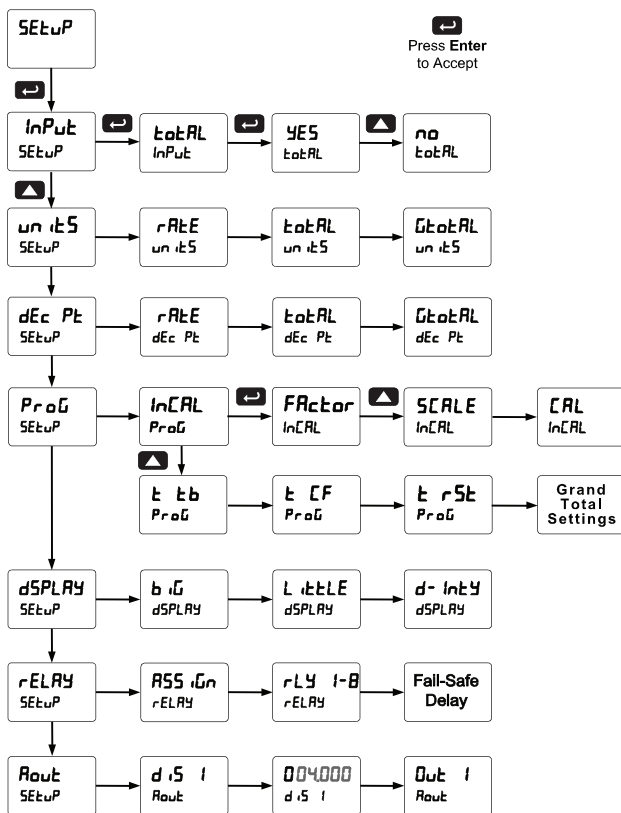


Setting up the Rate/Totalizer Meter (SEtUP)

The Setup menu is used to select:

1. Enable or disable totalizer features
2. Units for Rate, Total, and Grand Total
3. Decimal point position
4. Input Calibration
5. Display parameter and intensity
6. Relay (Alarm) operation
7. 4-20 mA analog output scaling

Press the Enter button to access any menu or press Up arrow button to scroll through choices. Press the Menu button to exit at any time.



Setting the Input Signal (*InPUL*)

There is a switch, located to the right of the input connector, which must be configured according to the input level and type. Jumper J4 located inside the meter, behind the input signal connector, is used to select the excitation voltage (24 V*, 10 V or 5 V) which is supplied to the P+ and P- wiring terminals.

**Default setting*

Enter the Input menu to enable or disable the totalizer features.

Setting the Totalizer Features (*TotRL*)

Enable or disable the totalizer features by selecting “YES” or “no” after the input type has been set up. If the totalizer features are disabled, most totalizer features and functions are hidden from the menus.

Note: The totalizer continues working in the background.

Setting the Input Units or Custom Tags (UNITS)

Enter the input unit or custom tag that will be displayed if alternating rate, total, or grand total and units is selected in the UNITS menu, or d UNITS is selected as the lower display parameter. See the flow chart on page 36 to access the display menu to show the unit or tag on the lower display. The engineering units or custom legends can be set using the following 7-segment character set:

Display	Character
0	0
1	1
2	2
3	3
4	4
5	5
6	6
7	7
8	8
9	9
A	A
b	b
C	C
c	c
d	d
E	E
F	F
G	G
g	g
H	H
h	h
I	I
i	i
J	J

Display	Character
K	K
L	L
m	m
n	n
O	O
o	o
P	P
q	q
r	r
S	S
t	t
u	u
V	V
w	w
X	X
Y	Y
Z	Z
-	-
/	/
]]
[[
=	=
Degree(<)	Degree(<)
Space	Space

Notes:

The letters "m" and "w" use two 7-segment LEDs each; when selected the characters to the right are shifted one position.

Press and hold up arrow to auto-scroll the characters in the display.

Setting the Decimal Point (dEC Pt)

The decimal point may be set with up to five decimal places or with no decimal point at all. The rate, total, and grand total decimal points are independent.

Pressing the right arrow moves the decimal point one place to the right until no decimal point is displayed, then it moves to the leftmost position. Pressing the up arrow moves the decimal point to the left.

Programming the Rate/Totalizer (Prog)

It is **very important** that one reads the following information before programming the meter:

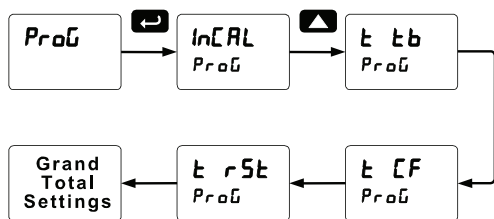
- The meter has been factory calibrated to read input frequency in Hz (pulses/sec). The calibration equipment is certified to NIST standards.
- Use the *K-Factor* menu to match the rate/totalizer with a flowmeter's k-factor (pulse/unit of measure).
- Or use the *Scale* menu to scale the pulse input (pulse/sec) without a signal source.
- Or use *Cal* menu to calibrate the rate/totalizer using a signal source.

The *Program* menu contains the following menus:

1. K-Factor calibration
2. Scale without a signal source
3. Calibrate with a calibrated signal source
4. Total time base & conversion factor
5. Grand total time base & conversion factor
6. Total reset mode for total & grand total

Note: The Scale, Calibrate, and K-Factor functions are exclusive of each other. The meter uses the last function programmed. Only one of these methods can be employed at a time. The Scale and Calibrate functions can use up to 32 points (default is 2). The number of points should be set in the Advanced Features menu under the Multi-Point Linearization (LINEAR) menu selection prior to scaling and calibration of the meter, see page 45 for details.

The pulse inputs may be calibrated or scaled to any display value within the range of the meter.



Additional parameters, not needed for most applications, are programmed in the *Advanced Features* menu; see *Advanced Features Menu*, page 41.

K-Factor Calibration (FRctör)

The meter may be calibrated using the *K-Factor* function. Most flowmeter manufacturers provide this information with the device. Enter the *K-Factor* (FRctör) menu and select the decimal point with highest resolution possible and program the k-factor value (*i.e.* pulses/gal). The meter will automatically calculate the flow rate using the k-factor and the time base selected.



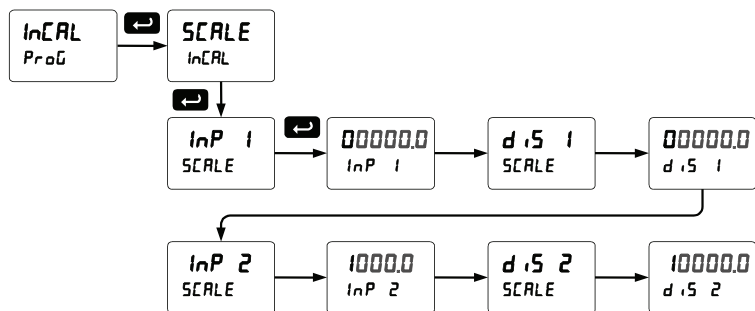
Multi-Point Calibration & Scaling

The meter is set up at the factory for 2-point linear calibration. The number of points for multi-point calibration/scaling is set up in the *Advanced Features* menu. Up to 32 linearization points may be selected. See page 45 for details.

Scaling the Meter (SCALE)

The pulse inputs can be scaled to display the process variable in engineering units.

A signal source is not needed to scale the meter; simply program the inputs and corresponding display values.



For instructions on how to program numeric values see *Setting Numeric Values*, page 24.

Error Message (*Error*)

An error message indicates that the calibration or scaling process was not successful. After the error message is displayed, the meter reverts to input 2 during calibration or scaling, allowing the appropriate input signal to be applied or programmed.

The error message might be caused by any of the following conditions:

1. Input signal is not connected to the proper terminals or it is connected backwards.
2. Minimum input span requirements not maintained.
3. Input 1 signal inadvertently applied to calibrate input 2.

Minimum Input Span

The minimum allowed input span is 1.0 Hz, which is the minimum difference between input 1 and input 2 signals required to complete the calibration or scaling of the meter.

Gate Function (*GATE*)

The gate function is used for displaying slow pulse rates. Using the programmable gate, the meter is able to display pulse rates as slow as 1 pulse every 999.9 seconds (0.001 Hz). The gate function can also be used to obtain a steady display reading with a fluctuating input signal.

The gate function (*GATE*) is the first option in the Advanced Features menu. There are two settings for the *GATE*, low gate (**L** *G*) and high gate (**H** *G*).

Low Gate (L** *G*)**

For most applications, low gate setting should be left at 1.0 second. Increase low gate setting to obtain a steadier rate display. The rate display will update in accordance with the low gate setting, for example if low gate is set at 10.0, the display will update every 10 seconds; changes in rate between updates will not be reflected until next display update.

High Gate (H** *G*)**

Set the high gate value to correspond to the highest expected pulse period (lowest pulse rate). For instance if the meter must display a rate when there is 1 pulse coming into the meter every 10 seconds, set the high gate to 11.0 seconds. When the signal is removed from the meter, the display will show the last reading for 11 seconds; then it will read zero.

Gate Settings

Slow Pulse Rate		
Low Gate* (sec)	High Gate (sec)	Min Freq** (Hz)
1.0	2.0	0.5000
1.0	10.0	0.1000
1.0	20.0	0.0500
1.0	100.0	0.0100
1.0	200.0	0.0050
1.0	400.0	0.0025
1.0	800.0	0.0012
1.0	999.9	0.0010

*The low gate setting corresponds to the display update rate and is used to stabilize the display reading with a fluctuating signal.

**The minimum frequency is dependent on high gate setting.

Contact De-Bounce Filter (F ILtEr)

The filter function (**F ILtEr**) can be used for applications where the meter is set up to count pulses generated by switch contacts. The filter value can be set anywhere between 2 and 50, the higher the value, the greater the filtering.

The filter function (**F ILtEr**) is the second option in the Advanced Features menu. There are two settings, **Hi SPd** (high speed) and **Lo SPd** (low speed), press **ENTER** when **Lo SPd** is displayed to enable the filter function. Program the filter value, so that there are no extra counts when a contact closure is completed.

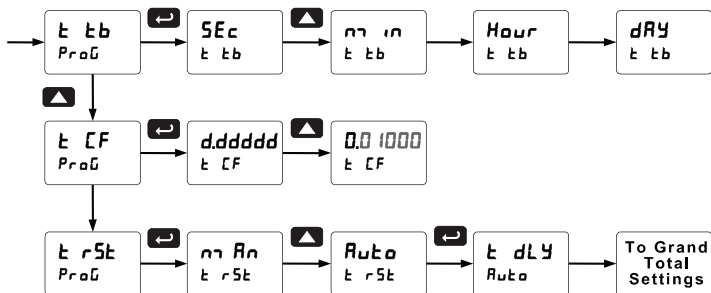
Filter Settings

Contact De-Bounce Filter		
Filter Setting	Speed Setting	Max Freq (Hz)
2	Lo SPd	999
4	Lo SPd	499
8	Lo SPd	249
16	Lo SPd	124
32	Lo SPd	62
40	Lo SPd	50
50	Lo SPd	40
N/A	Hi SPd	30,000

Time Base, Total Conversion Factor & Total Reset

The time base, total conversion factor, and total reset menus are located in the *Program* menu.

The total and grand total have their own independent settings. This means that one can be displaying the value in gallons while the other displays in million gallons, liters, m³, etc.



Time Base

The time base is the amount of time over which the rate parameter should accrue. For example, if the rate was ten and the time base was in minutes, then the total would increase by ten every one minute.

Total & Grand Total Conversion Factor

The total & grand total conversion factor is the amount by which the rate is multiplied before it is added to the total or grand total. For Example, if the rate was ten per second and the total conversion factor was 100, the total would increase by 1000 every second. This is useful, for instance, if you want to show rate in gallons and total in thousands of gallons.

Total & Grand Total Reset

The totals can be programmed for manual or automatic reset. In the automatic reset mode, a programmable time delay is available to reset the total or grand total after the assigned preset is reached.

Non-Resetable Totalizer

The total and grand total can be password-protected to prevent unauthorized resets. The grand total can be programmed as a non-resetable total, see page 39 for details.

Calibrating the Meter with External Source (CARL)

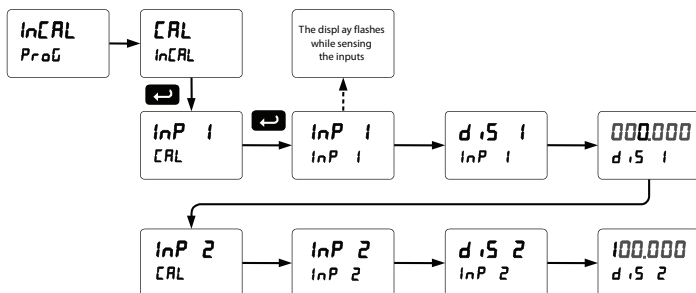
To scale the meter without a signal source refer to

K-Factor Calibration (Factor) on page 29 or

Scaling the Meter (SCALE) on page 30

The meter can be calibrated to display the process variable in engineering units by applying the appropriate input signal and following the calibration procedure.

The use of a calibrated signal source is strongly recommended to calibrate the meter.



There is no need to warm up the meter before performing the calibration procedure.

Setting the Display Parameter & Intensity (dSPLY)

The upper display (b \bar{U}) can be programmed to display:

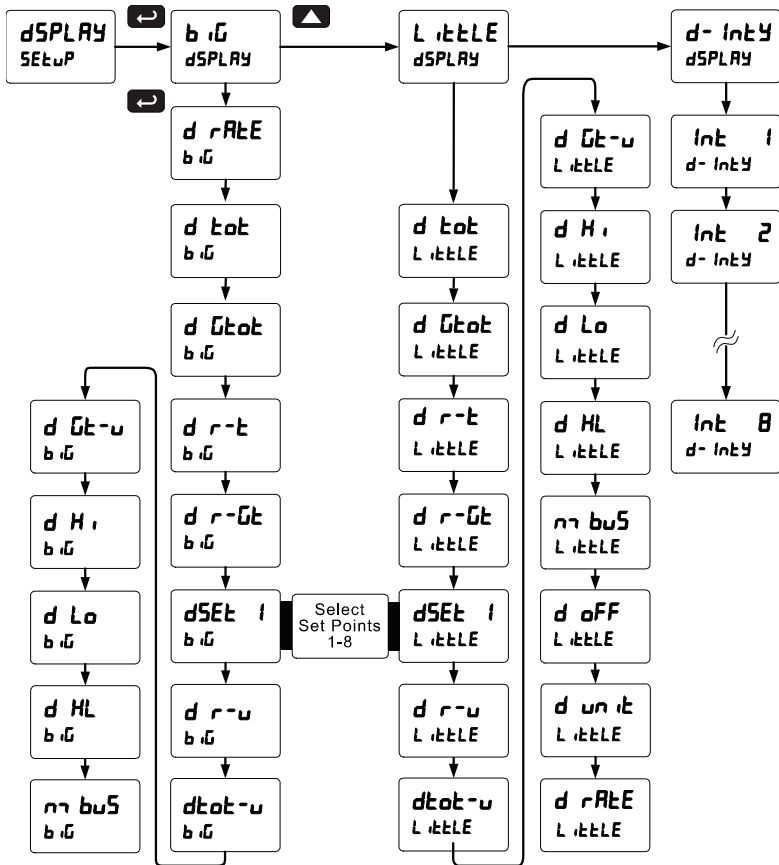
1. Rate value
2. Total or grand total
3. Relay set points
4. Max & min values
5. Modbus input
6. Display rate and units
7. Rate and total
8. Rate and grand total
9. Total and units
10. Grand total and units

The lower display (L $\bar{L}\bar{E}$) can be programmed to display:

1. Rate value
2. Total or grand total
3. Relay set points
4. Max & min values
5. Engineering units or custom legends
6. Modbus input
7. Off (no display)
8. Display rate and units
9. Rate and total
10. Rate and grand total
11. Total and units
12. Grand total and units

Display Intensity: The meter has eight display intensity levels to give the best performance under various lighting conditions. Select intensity 8 for outdoor applications. The default display intensity setting is 8.

Display Setup Menu



After setting up the input and the display, press the Menu button to exit programming and skip the rest of the setup menu. Press the Menu button again and the Up arrow to reach the *Program* menu and complete the scaling or calibration of the meter.

Front Panel LEDs (rELAY)

The LEDs on the front panel provide status indication for the following:

LED	Status
1	Alarm 1
2	Alarm 2
3	Alarm 3
4	Alarm 4

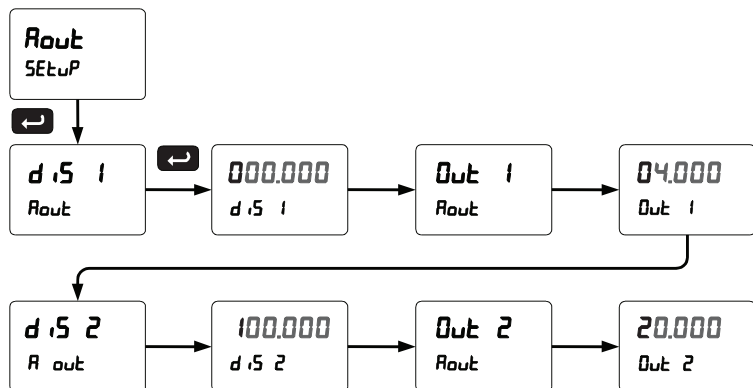
The meter is supplied with four alarm points that include front panel LEDs to indicate alarm conditions. This standard feature is particularly useful for alarm applications that require visual-only indication. The LEDs are controlled by the set and reset points programmed by the user. When the display reaches a set point for a high or low alarm, the corresponding alarm LED will turn on. When the display returns to the reset point the LED will go off. The front panel LEDs respond differently for latching and non-latching relays.

Scaling the 4-20 mA Analog Output (Rout)

The 4-20 mA analog output can be scaled to provide a 4-20 mA signal for any display range selected.

No equipment is needed to scale the analog output; simply program the display values to the corresponding mA output signal.

The *Analog Output* menu is used to program the 4-20 mA output based on display values.



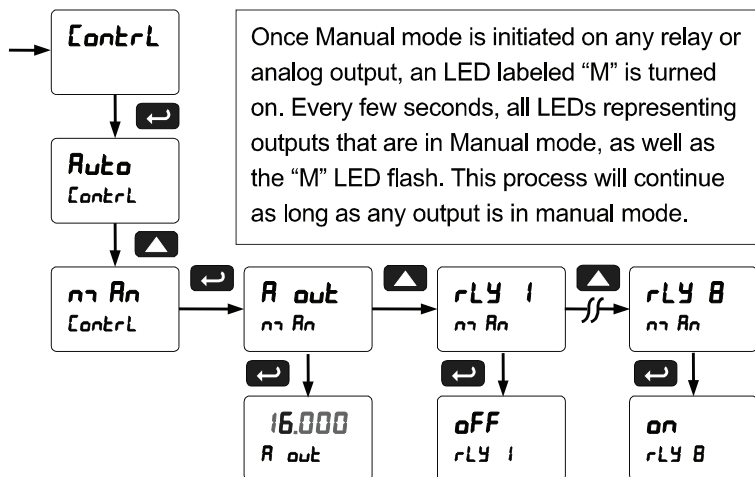
For instructions on how to program numeric values see *Setting Numeric Values*, page 24.

Reset Menu (rE5Et)

The *Reset* menu is used to reset the totals, maximum or minimum reading (peak or valley) reached by the process; both may be reset at the same time by selecting “reset high & low” (r 5t HL).

Control Menu (ContrL)

The *Control* menu is used to control the 4-20 mA analog output and the relays manually, ignoring the input. Each relay and analog output can be programmed independently for manual control. Selecting automatic control sets all relays and the analog output for automatic operation.



Setting up the Password (PR55)

The *Password* menu is used for programming three levels of security to prevent unauthorized changes to the programmed parameter settings and to program the non-resettable totalizer.

Pass 1: Allows use of function keys and digital inputs

Pass 2: Allows use of function keys, digital inputs and editing set/reset points

Pass 3: Restricts all programming, function keys, and digital inputs.

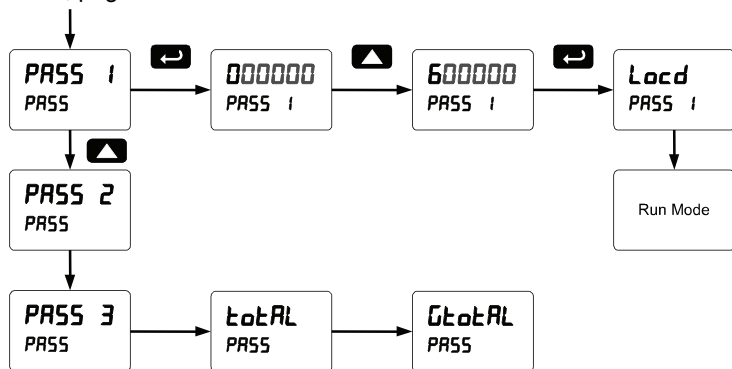
Total: Prevents resetting the total manually

Gtotal: Prevents resetting the grand total manually

Protecting or Locking the Meter

Enter the *Password* menu and program a six-digit password.

For instructions on how to program numeric values see *Setting Numeric Values*, page 24.



Record the password for future reference. If appropriate, it may be recorded in the space provided.

Model:	
Serial Number:	
Password 1:	___ _ _ _ _
Password 2:	___ _ _ _ _
Password 3:	___ _ _ _ _
Total	___ _ _ _ _
GTotal	___ _ _ _ _

Total Reset Password & Non-Resettable Total

The total and the grand total can be password-protected to prevent unauthorized total resets.

The grand total can be programmed as a non-resettable total by entering the password “050873”.



Caution!

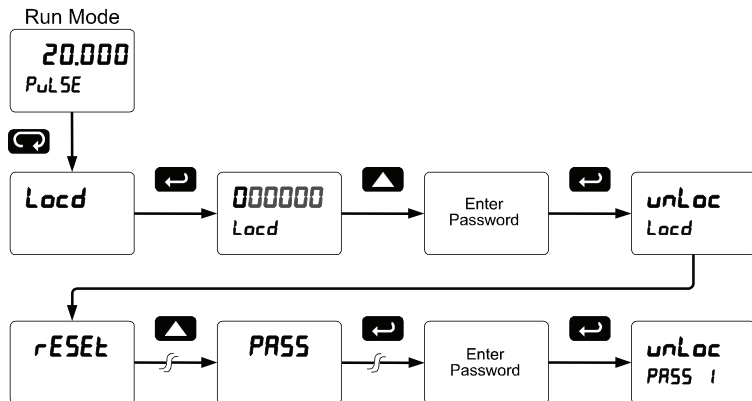
Once the Grand Total has been programmed as “non-resettable” the feature **cannot** be disabled.

Making Changes to a Password Protected Meter

If the meter is password protected, the meter will display the message *Locd* (*Locked*) when the Menu button is pressed. Press the Enter button while the message is being displayed and enter the correct password to gain access the menu. After exiting the programming mode, the meter returns to its password protected condition.

Disabling Password Protection

To disable the password protection, access the *Password* menu and enter the correct password twice, as shown below. The meter is now unprotected until a new password is entered.



If the correct six-digit password is entered, the meter displays the message *unLoc* (*unlocked*) and the protection is disabled until a new password is programmed.

If the password entered is incorrect, the meter displays the message *Locd* (*Locked*) for about two seconds, and then it returns to Run Mode. To try again, press Enter while the *Locked* message is displayed.

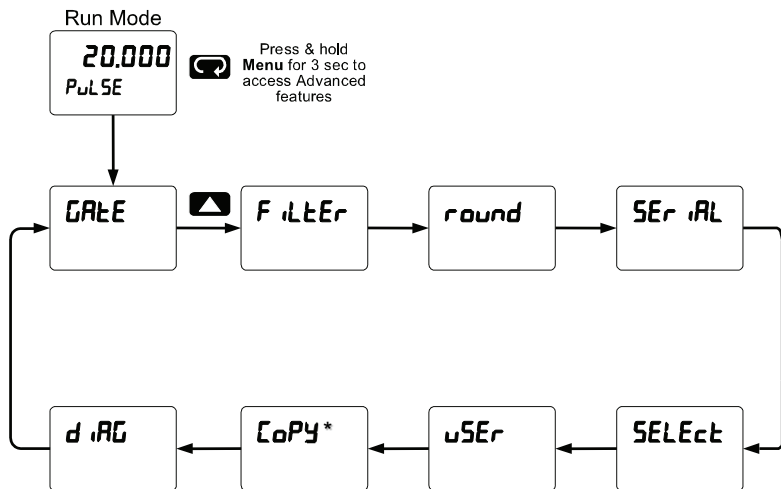
Did you forget the password?

The password may be disabled by entering a master password once. If you are authorized to make changes, enter the master password 508655 to unlock the meter.

Advanced Features Menu

To simplify the setup process, functions not needed for most applications are located in the *Advanced Features* menu.

Press and hold the Menu button for three seconds to access the Advanced Features of the meter.



*CoPY menu is for factory use only.

Advanced Features Menu & Display Messages

The following table shows the functions and messages of the *Advanced Features* menu in the order they appear in the menu.

Display	Parameter	Action/Setting
GATE	Gate	Enter Gate function menu
Lo G	Low gate	Program Low gate value
Hi G	High gate	Program High gate value
FILTER	Filter	Enter the Filter menu
Lo SPD	Low speed	Set the contact de-bounce filter value
Hi SPD	High speed	Select high speed filter
round	Round	Set the rounding value for display variables
SERIAL	Serial	Set serial communication parameters
SLAVE ID	Slave ID	Set slave ID or meter address
baud	Baud rate	Select baud rate
tr dLY	Transmit delay	Set transmit delay for serial communication
PARITY	Parity	Select parity Even, Odd, or None with 1 or 2 stop bits
t-byt	Time byte	Set byte-to-byte timeout
SELECT	Select	Enter the Select menu (function, cutoff, out)
Function	Signal input conditioning	Select linear only, other functions are not applicable to pulse input
LINEAR	Linear	Set meter for linear function and select number of linearization points
no PLS	Number of points	Set meter for 2 to 32-point linearization
CUTOFF	Cutoff	Set low-flow cutoff
COUNT	Count	Set the totals to count up or down from a set value
tot C	Total count	Set the total to count up to or down from the programmed total value
GTOT C	Grand total count	Set the grand total to count up or down from from the programmed grand total value

Display	Parameter	Action/Setting
ANALPr	Analog output programming	Program analog output parameters
SOURCE	Source	Select source for the 4-20 mA output
OVERRNG	Ovrrange	Program mA output for display overrange
UNDERRNG	Underrange	Program mA output for display underrange
MAX RH	Maximum	Program maximum mA output allowed
MIN LH	Minimum	Program minimum mA output allowed
CALIB	Calibrate	Calibrate 4-20 mA output (internal reference source used for scaling the output)
4 mA R	4 mA output	Enter mA output value read by milliamp meter with at least 0.001 mA resolution
20 mA R	20 mA output	Enter mA output value read by milliamp meter with at least 0.001 mA resolution
USER	User I/O	Assign function keys and digital I/O
F1	F1 function key	Assign F1 function key
F2	F2 function key	Assign F2 function key
F3	F3 function key	Assign F3 function key
F4	F4 function	Assign F4 function (digital input)
D I 1	Digital input 1	*For factory use only
D O 1	Digital output 1	*For factory use only
COPY	Copy	*This menu is for factory use only
DIAG	Diagnostics	Display parameter settings
FILTER	Filter	Display filter selection
ROUND	Round	Round the display values to the nearest entered multiple
FUNCTION	Function	Function selected
SCALE	Scale	Scaling parameter
KFACTOR	K-factor	K-factor value
GATE	Gate	Gate settings
CUTOFF	Cutoff	Cutoff value
T TB	Total time base	Set time period

Display	Parameter	Action/Setting
ƒ CF	Total conversion factor	Set conversion factor
ƒ rSt	Total reset	Set reset method
ƒt ƒb	Grand total time base	Set grand total time period
ƒt CF	GT conversion factor	Set grand total conversion factor
ƒt rSt	Grand total	Set grand total reset method
dSPLY	Display	Display assignments
rELAY	Relays	Relay settings
Rout	Analog output	Analog output scaling
RoutPr	Analog output programming	Analog output programming
SEr iRL	Serial	Serial communication settings
LEd ƒ	LED test	Test all LEDs
InfO	Information	Display software and S/N information

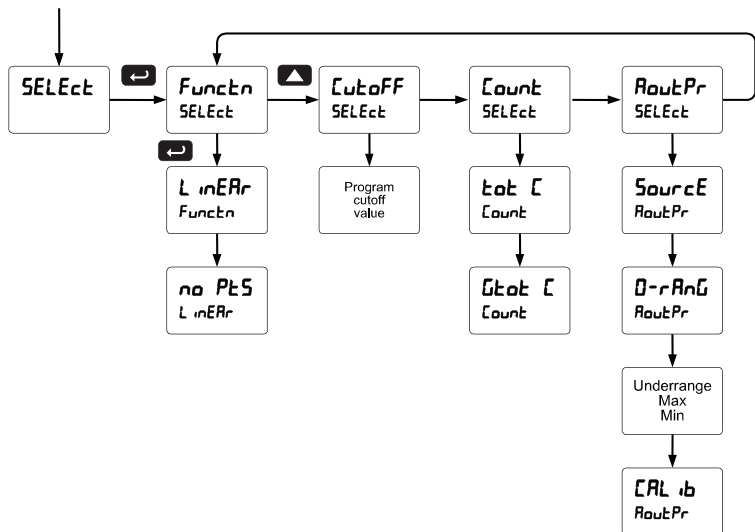
Rounding Feature (*round*)

The rounding feature is used to give the user a steadier display with fluctuating signals. Rounding is used in addition to the filter function.

Rounding causes the display to round to the nearest value according to the rounding selected. This setting affects the last two digits, regardless of decimal point position.

Select Menu (SELEct)

The *Select* menu is used to select the signal input conditioner applied to the input (linear), low-flow cutoff, and analog output programming. The multi-point linearization is part of the linear function selection.



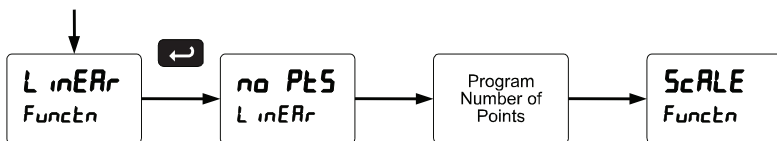
Signal Input Conditioning (Functn)

The *Function* menu is used to select the signal input conditioner applied to the input: linear, where the multi-point linearization is part of the linear function selection.

Meters are set up at the factory for linear function with 2-point linearization. The linear function provides a display that is linear with respect to the input signal.

Multi-Point Linearization (L inERr)

Meters are set up at the factory for linear function with 2-point linearization. Up to 32 linearization points can be selected under the linear function. The multi-point linearization can be used to linearize the display for non-linear signals.



Low-Flow Cutoff (Cutoff)

The low-flow cutoff feature allows the meter to be programmed so that the often-unsteady output from a differential pressure transmitter, at low flow rates, always displays zero on the meter.

The cutoff value may be programmed from 0 to 999999. The meter will display zero below the cutoff value. Programming the cutoff value to zero disables the cutoff feature.

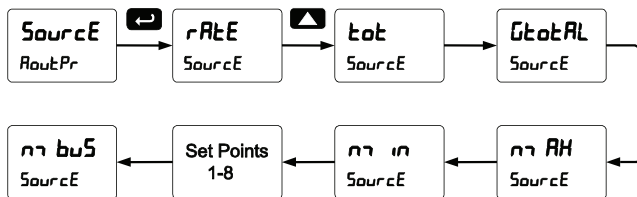
Analog Output Programming (RoutPr)

The *Analog Output Programming* menu is used to program the behavior of the 4-20 mA output. The following parameters and functions are programmed in this menu:

1. Source: Source for generating the 4-20 mA output (e.g. PV)
2. Overrange: Analog output value with display in overrange condition
3. Underrange: Analog output value with display in underrange condition
4. Max: Maximum analog output value allowed regardless of input
5. Min: Minimum analog output value allowed regardless of input
6. Calibrate: Calibrate the internal 4-20 mA source reference used to scale the 4-20 mA output

Analog Output Source

The source for generating the 4-20 mA output may be assigned to the rate/process variable, total, grand total, maximum or minimum value reached by the rate/process, one of the set points, or the Modbus PV input.

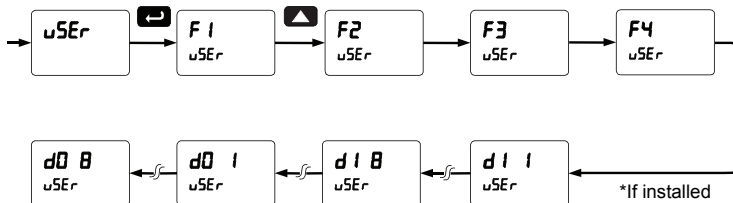


Analog Output Calibration

To perform the analog output calibration it's recommended to use a milliamp meter with a resolution of at least 0.1 μA to measure the output current. The values saved internally during this procedure are used for scaling the 4-20 mA output in the *Setup* menu.

Programmable Function Keys User Menu (uSEr)

The *User* menu allows the user to assign the front panel function keys F1, F2, F3, F4 (digital input) and up to eight digital inputs to access most of the menus or to activate functions immediately (e.g. Reset max & min). Up to eight digital outputs can be assigned to a number of actions and functions executed by the meter (e.g. Alarms, relay acknowledgement, etc.).



Function Keys & Digital I/O Available Settings

Display	Description	Display	Description
rSEt HL	Reset max & min	rESEt	Reset menu
rELAY	Relay menu	rSEt t	Reset total
SEt i	Set point 1 - 8	rSEt Gt	Reset grand total
rLY d	Disable relay	rSEt H i	Reset max
rLY E	Enable relay	rSEt Lo	Reset min
o HoLd	Relays & output hold	dSPLY	Display menu
d HoLd	Display hold	b iG	Upper display menu
b iG H i	Max on Upper display	L iEtLE	Lower display menu
b iG Lo	Min on Upper display	n ENu	Menu button
b iG HL	Max/min Upper display	r iGht	Right arrow button
L iEt H i	Max on Lower display	uP	Up arrow button
L iEt Lo	Min on Lower display	EntEr	Enter button
L iEt HL	Max/min Lower display	ALAr i	Alarm 1 - 8
L iEt Gt	Lower display grand total	F on 1	Force on relay 1
ContRL	Control Menu	F on 2	Force on relay 2
d iSPbL	Disable function key	F on 3	Force on relay 3
RcH	Acknowledge relays	F on 4	Force on relay 4





METER OPERATION

The meter accepts pulses (e.g. $\pm 40\text{mV}$ to $\pm 8\text{V}$), square wave (0-5, 0-12V, or 0-24V), open collector NPN, PNP, TTL, or switch contact signals and displays these signals in engineering units from -99999 to 999999.

The dual-line display can be customized by the user to operate in such a way as to satisfy a specific application. Typically the upper display is used for the process variable; while the lower display is used for engineering units, custom legend, total, grand total, or set point indication.

The meter can be set up to display the pulse input on the upper display and the Modbus input on the lower display. The relays and analog output can be programmed to operate from the Modbus PV input.

Front Panel Buttons Operation

Button Symbol	Description
	Press to enter or exit Programming Mode, view settings, or exit max/min readings
	Press to reset max/min readings or other parameter/function assigned through the <i>User</i> menu
	Press to display max/min readings or other parameter/function assigned through the <i>User</i> menu
	Press to acknowledge relays or other parameters/function assigned through the <i>User</i> menu

Function Keys Operation

During operation, the programmable function keys operate according to the way they have been programmed in the *Advanced Features – User* menu.

The table above shows the factory default settings for F1, F2, and F3.

F4 Operation

A digital input, F4, is standard on the meter. This digital input is programmed identically to function keys F1, F2, and F3. The input is triggered with a contact closure to COM, or with an active low signal. During operation, F4 operates according to the way it has been programmed in the *Advanced Features – User* menu.

Maximum/Minimum Readings

The max & min readings (peak & valley) reached by the process can be displayed either continuously or momentarily:

1. Display briefly by assigning to the F1-F3 function keys, F4 (digital input) or to the digital inputs in the *User* menu.
2. Display continuously by assigning either display to max/min through the *Display* menu.

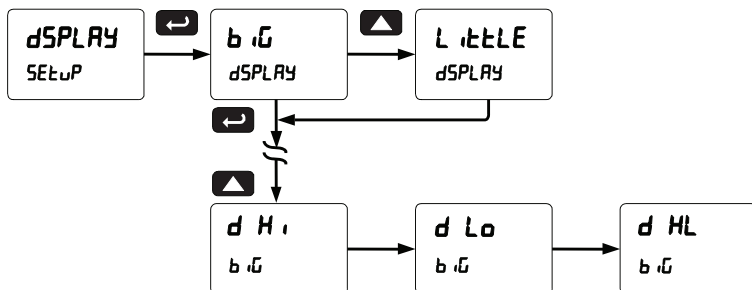
Any of the F1-F3 function keys (buttons), F4 (digital input), and the digital inputs can be programmed to reset the max & min readings. The meters are set at the factory to display the max reading by pressing the Up arrow/F2 button and to use the Right arrow/F1 button to access the *Reset* menu.

To display max reading using function key with factory defaults:

1. Press Up arrow/F2 button to display maximum reading since the last reset/power-up.
2. To reset max/min press Right arrow/F1 button to access the *Reset* menu. The max & min displays are reset to actual values.
3. Press Menu to exit max/min display reading.

To display max/min readings continuously:

Assign either display to Max (d H i), Min (d L o), or toggle between Max and Min (d HL) every 10 seconds.



TROUBLESHOOTING

The rugged design and the user-friendly interface of the meter should make it unusual for the installer or operator to refer to this section of the manual. However, due to the many features and functions of the meter, it's possible that the setup of the meter does not agree with what an operator expects to see.

If the meter is not working as expected, refer to the *Diagnostics* menu and recommendations below.

Diagnostics Menu (d iRG)

The *Diagnostics* menu is located in the *Advanced Features* menu, to access *Diagnostics* menu see *Advanced Features Menu*, page 41.

It provides an easy way to view the programmed parameter settings for troubleshooting purposes. Press the Enter button to view the settings and the Menu button to exit at any time.

For a description of the diagnostic messages, see *Advanced Features Menu & Display Messages* on page 42.

Determining Software Version

To determine the software version of a meter:

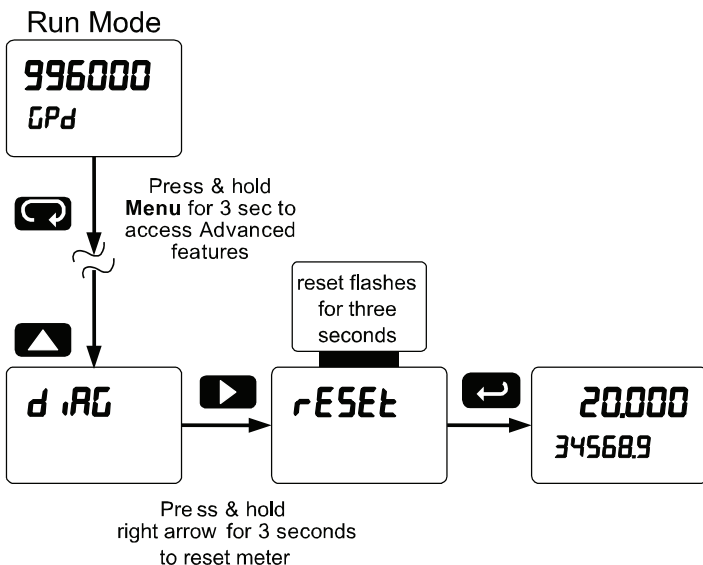
1. Go to the *Diagnostics* menu (d iRG) and press Enter button.
2. Press Up arrow button and scroll to Information menu (InFa).
3. Press Enter to access the software number (5Ft) and version (VER) information. Write down the information as it is displayed. Continue pressing Enter until all the information is displayed.
4. The meter returns to Run Mode after displaying all the settings.

Reset Meter to Factory Defaults

When the parameters have been changed in a way that is difficult to determine what's happening, it might be better to start the setup process from the factory defaults.

Instructions to load factory defaults:

1. Enter the *Advanced Features* menu. See *Advanced Features Menu*, page 41.
2. Press Up arrow to go to *Diagnostics* menu
3. Press and hold Right arrow for three seconds, press Enter when display flashes *rESEt*.
Note: If Enter is not pressed within three seconds, the display returns to the *Diagnostics* menu.
4. The meter goes through an initialization sequence (similar as on power-up), and loads the factory default settings.



Factory Defaults & User Settings

The following table shows the factory setting for most of the programmable parameters on the meter. Next to the factory setting, the user may record the new setting for the particular application.

Model: _____ S/N: _____ Date: _____

Parameter	Display	Default Setting	User Setting
Input type	<i>inPute</i>	Pulse	
Total	<i>YES</i>	Total enabled	
Units	<i>units</i>	Rate / total / gr. total pulse / pulse / pulse	
Filter	<i>FILTER</i>	Hi Spd	
K-factor	<i>FACTOR</i>	1.000	
Function	<i>FUNCTION</i>	Linear	
Number of points	<i>noPTS</i>	2	
Input 1	<i>inP 1</i>	00000.0	
Display 1	<i>dis 1</i>	00000.0	
Input 2	<i>inP 2</i>	10000.0	
Display 2	<i>dis 2</i>	10000.0	
Decimal point	<i>dddddd</i>	1 place	
Cutoff value	<i>CUTOFF</i>	0.000 (disabled)	
Display assignment	<i>DISPLAY</i>		
Upper display	<i>bG</i>	Rate/Process	
Lower display	<i>L t t t E</i>	Total value	
Display intensity	<i>d-inty</i>	8	
Total time base	<i>t tb</i>	Second	
Total conversion factor	<i>t CF</i>	1.000	
Total reset	<i>t rSt</i>	Manual	
Grand total time base	<i>Gt tb</i>	Second	
Grand total conversion factor	<i>Gt CF</i>	1.000	
Grand total reset	<i>Gt rSt</i>	Manual	
Display 1 analog out	<i>dis 1</i>	0.0	
Output 1 value	<i>Out 1</i>	4.000 mA	

Parameter	Display	Default Setting	User Setting
Display 2 analog out	d 5 2	1000.0	
Output 2 value	Out 2	20.000 mA	
Source analog output	Source	Rate/process	
Overrange output	OverRange	21.000 mA	
Underrange output	UnderRange	3.000 mA	
Maximum output	max RH	23.000 mA	
Minimum output	min RL	1.000 mA	
Slave ID (Address)	Slave ID	247	
Baud rate	Baud	9600	
Transmit delay	Tr Del	50 ms	
Parity	Parity	Even	
Byte-to-byte timeout	Byte	010 (0.1 sec)	
F1 function key	F1	Reset max & min	
F2 function key	F2	Upper display: Max (Hi)	
F3 function key	F3	Acknowledge relays	
F4 function	F4	Acknowledge relays	
Digital input 1	d i 1	Menu	
Digital input 2	d i 2	Right arrow	
Digital input 3	d i 3	Up arrow	
Digital input 4	d i 4	Enter	
Digital output 1	dO 1	Alarm 1	
Digital output 2	dO 2	Alarm 2	
Digital output 3	dO 3	Alarm 3	
Digital output 4	dO 4	Alarm 4	
Password 1	PASS 1	000000 (unlocked)	
Password 2	PASS 2	000000 (unlocked)	
Password 3	PASS 3	000000 (unlocked)	
Total password	Total	000000 (unlocked)	
Grand total password	Grand Total	000000 (unlocked)	

Troubleshooting Tips

Symptom	Check/Action
No display at all	Check power at power connector
Not able to change setup or programming, <code>LoCd</code> is displayed	Meter is password-protected, enter correct six-digit password to unlock
Meter displays error message during calibration (<code>Error</code>)	Check: 1. Signal connections 2. Minimum input span requirements
Meter displays 999999 -999999	Check: 1. Input selected in <i>Setup</i> menu 2. Corresponding signal at Signal connector
Display is unstable	Check: 1. Input signal stability and value 2. Display scaling vs. input signal 3. Filter and gate values
Display response is too slow	Check filter and gate values
Display reading is not accurate	Check: Scaling or calibration
Display does not respond to input changes, reading a fixed number	Check: Display assignment, it might be displaying max, min, or set point.
Display alternates between 1. <code>Hi</code> and a number 2. <code>Lo</code> and a number	Press Menu to exit max/min display readings.
Flashing relay status LEDs	Relays in manual control mode or relay interlock switches opened.
Meter not communicating with application programs	Check: 1. Serial adapter and cable 2. Serial settings 3. Meter Slave ID and baud rate
If the display locks up or the meter does not respond at all	Cycle the power to reboot the microprocessor.
Other symptoms not described above	Call Technical Support for assistance.

Note: Certain sequences of events can cause unexpected results. To solve these issues, it is best to start fresh from factory defaults and map changes ahead of time, rather than at random.

Alphabetical List of Display Functions & Messages

Display	Parameter	Action/Setting Description
20 mA R	20 mA output	Enter mA output value read by milliamp meter with at least 0.001 mA resolution
4 mA R	4 mA output	Enter mA output value read by milliamp meter with at least 0.001 mA resolution
999999	Flashing display	Overrange condition
RcH	Acknowledge	Acknowledge relays
Rout	Analog output	Analog output scaling
RoutPr	Analog output programming	Analog output programming
Ruto	Automatic	Press Enter to set meter for automatic operation
bRud	Baud rate	Select baud rate
b U	Upper display	Press Enter to assign the Upper display parameter (default: PV or rate)
b U H	Max on Upper display	Assign digital input to display max on the Upper display
b U H/L	Max/min Upper display	Assign digital input to toggle max/min on the Upper display
b U L	Min on Upper display	Assign the digital input to display min on the Upper display
[RL	Calibrate	Enter the <i>Calibrate</i> menu
[RL b	Calibrate	Calibrate 4-20 mA output (internal reference source used for scaling the output)
[ontrL	Control	Enter <i>Control</i> menu
[oPY	Copy	This menu is for factory use only
[ount	Count	Set total and grand total count direction
[utoff	Cutoff	Cutoff value
d H	Display high	Select to display the max
d H/L	Display H&L	Select to display the max & min toggling
d HoLd	Display hold	Display hold
d L	Display low	Select to display the min
d r-u	Display r-u	Select to display rate and units
d un t	Display units	Select to display engineering units or label

Display	Parameter	Action/Setting Description
dEC Pt	Decimal point	Set decimal point for rate, total, grand total
dELAY	Delay	Enter relay <i>Time Delay</i> menu
d I 1	Digital input 1	*For factory use only
d ,RC	Diagnostics	Display parameter settings
d- intY	Display intensity	Set display intensity level from 1 to 8
d ,S 1	Display 1	Program display 1 value
d ,S 2	Display 2	Program display 2 value
d ,SRbL	Disable	Disable function key
dLY 1	Delay 1	Enter relay 1 time delay setup
dO 1	Digital output 1	*For factory use only
dSEt 1	Display set 1	Select to display set point 1 (1-8)
dSPLRy	Display	Enter the <i>Display</i> menu
EntEr	Enter	Assign digital input to Enter button/F3
Error	Error	Error, calibration not successful, check signal or programmed value
F On 1	Force On 1	Force relay 1 on using digital input (1-8)
F 1	F1 function key	Assign F1 function key
F2	F2 function key	Assign F2 function key
F3	F3 function key	Assign F3 function key
F4	F4 function	Assign F4 function (digital input)
FRctOr	K-factor Scaling	Programs unit to convert input pulse to rate in engineering units
FR ,LSF	Fail-safe	Enter <i>Fail-safe</i> menu
F ,LEtEr	Filter	Set noise filter value
FLS 1	Fail-safe 1	Set relay 1 fail-safe operation
ForcE	Force	Force analog output value for loop break
FuncTn	Function	Select linear only, other functions are not applicable
G tOtRL	Grand total	Assign relay to grand total
Gt CF	Grand total conversion factor	Program grand total conversion factor

Display	Parameter	Action/Setting Description
Gr r 5t	<i>Grand total reset</i>	Program grand total rest mode: auto or manual
Gr t b	<i>Grand total time base</i>	Program grand total time base
Gr tot C	<i>Grand Total Count</i>	Set grand total to count up or down
Gr tot RL	<i>Grand total password</i>	Set or enter password for manual reset
Info	<i>Information</i>	Display software and S/N information
InCAL	<i>Input Calibration</i>	Enter the <i>Input Calibration</i> menu
InP 1	<i>Input 1</i>	Calibrate input 1 signal or program input 1 value
InP 2	<i>Input 2</i>	Calibrate input 2 signal or program input 2 value (up to 32 points)
InPut	<i>Input</i>	Input selection
LRLCH	<i>Latching</i>	Set relay for latching operation (relays assigned to rate)
LED t	<i>LED test</i>	Test all LEDs
LEnGrh	<i>Length</i>	Not applicable
L inERr	<i>Linear</i>	Set meter for linear function and select number of linearization points
L t Gr	<i>Grand total on Lower display</i>	Assign the digital input to display the grand total on the Lower display
L t H r	<i>Max on Lower display</i>	Assign digital input to display max on the lower display
L t HL	<i>Max/min Lower display</i>	Assign the digital input to toggle max/min on the lower display
L t Lo	<i>Min on Lower display</i>	Assign digital input to display min on the lower display
L t t LE	<i>Lower display</i>	To assign the lower display parameters
Locd	<i>Locked</i>	Enter password to unlock meter
Lt-Clr	<i>Latching-cleared</i>	Set relay for latching operation with manual reset only after alarm condition has cleared (relays assigned to rate)
Man Rn	<i>Manual</i>	To manually control

Display	Parameter	Action/Setting Description
ᠠᠷ RH	<i>Maximum</i>	Program maximum mA output allowed
ᠠᠷ ᠮᠣᠮᠣᠰ	<i>Modbus</i>	Select to display Modbus input or to assign Modbus input as the analog output source
ᠠᠷ ᠮᠡᠨᠤ	<i>Menu button</i>	Assign digital input to Menu button
ᠠᠷ ᠮᠢᠨᠢᠮᠤ	<i>Minimum</i>	Program minimum mA output allowed
ᠠᠷ ᠯᠢᠰᠤ	<i>Number of points</i>	Set meter for 2 to 32-point linearization
ᠠᠷ ᠨᠣᠨᠷᠰᠢᠲᠠᠭ	<i>Non-resettable</i>	Non-resettable grand total set after entering "050873" for Gtotal password
ᠠᠷ ᠬᠣᠯᠳ	<i>Relays output hold</i>	Assign digital input to hold all relays state hold
ᠠᠷ ᠷᠠᠨᠭᠡ	<i>Overrange</i>	Program mA output for display overrange
ᠠᠷ ᠠᠷ 1	<i>Output 1</i>	Program output 1 value (e.g. 4.000 mA)
ᠠᠷ ᠠᠷ 2	<i>Output 2</i>	Program output 2 value (e.g. 20.000 mA)
ᠠᠷ ᠮᠠᠰᠰᠤ	<i>Password</i>	Enter the <i>Password</i> menu
ᠠᠷ ᠮᠠᠰᠰᠤ 1	<i>Password 1</i>	Set or enter Password 1
ᠠᠷ ᠮᠠᠰᠰᠤ 2	<i>Password 2</i>	Set or enter Password 2
ᠠᠷ ᠮᠠᠰᠰᠤ 3	<i>Password 3</i>	Set or enter Password 3
ᠠᠷ ᠮᠠᠮᠠᠭ	<i>Program</i>	Enter the <i>Program</i> menu
ᠠᠷ ᠮᠠᠮᠠᠭ ᠡ	<i>Programmable exponent</i>	Set meter for programmable exponent and enter exponent value
ᠠᠷ ᠷᠠᠲᠡ	<i>Rate</i>	Assign relay to rate
ᠠᠷ ᠷᠡᠰᠡᠲ	<i>Reset</i>	To access the <i>Reset</i> menu
ᠠᠷ ᠶᠢᠨᠬᠡ	<i>Right arrow</i>	Assign digital input to Right arrow button/F1
ᠠᠷ ᠷᠡᠰᠡ 1	<i>Reset 1</i>	Program reset point 1
ᠠᠷ ᠷᠡᠰᠡ ᠮᠠᠲᠠᠯ	<i>Reset grand total</i>	To reset grand total
ᠠᠷ ᠷᠡᠰᠡ ᠬᠢ	<i>Reset high</i>	Press Enter to reset max display
ᠠᠷ ᠷᠡᠰᠡ ᠬᠢ & ᠯᠠᠭ	<i>Reset high & low</i>	Press Enter to reset max & min displays
ᠠᠷ ᠷᠡᠰᠡ ᠯᠠᠭ	<i>Reset low</i>	Press Enter to reset min display
ᠠᠷ ᠷᠡᠰᠡ ᠲᠠᠭ	<i>Reset total</i>	Reset total
ᠠᠷ ᠰᠠᠯᠡ	<i>Scale</i>	Enter the <i>Scale</i> menu

Display	Parameter	Action/Setting Description
SELEct	Select	Enter the Select menu (function, cutoff, output)
SErIAL	Serial	Set serial communication parameters
SEt 1	Set 1	Program set point 1
SEtUP	Setup	Enter Setup menu
SLAVE Id	Slave ID	Set Slave ID or meter address
SourcE	Source	Select source for the 4-20 mA output
t CF	Total conversion factor	Program total conversion factor
t dLY	Time delay	Program time delay for total auto reset
t rSE	Total reset	Program total rest mode: auto or manual
t tB	Total time base	Program total time base
tOt C	Total Count	Set total to count up or down
tOtAL	Total	Enable or disable totalizer features
tR dLY	Transmit delay	Set transmit delay for serial communication
un tS	Units	Select the display units/tags
unLoc	Unlocked	Program password to lock meter
uP	Up arrow	Assign digital input to up arrow button/F2
u-rRnG	Underrange	Program mA output for display underrange
uSEr	User I/O	Assign function keys and digital I/O

How to Contact Max Machinery

For Technical Support please

Call: (707) 433-2662

Email: info@maxmachinery.com

For the latest version of this manual please visit

www.maxmachinery.com

The logo for Max Machinery, featuring the word "max" in a bold, lowercase, sans-serif font. The letter 'x' is stylized with a thick, curved underline that loops back under the 'a'.